

ΜΑΝΟΜΕΤΡΑ ΤΡΟΦΙΜΩΝ – ΦΑΡΜΑΚΩΝ

Pressure gauges for sanitary use

Pressure gauges

4.5

Application

The Alfa Laval pressure gauge is designed to fulfil the demands of pressure gauges in sanitary and pharmaceutical production. It is suitable as a local indicator in filtration systems, pump system pressure vessels etc. Available in two sizes.

Features: Wetted parts in acid-proof, stainless steel. Measuring range -1 to 60 bar. Process temperature up to 200°C.

Standard range

Our standard range is supplied with a liquid-filled housing. It includes an 80 mm / 100 mm diameter dial and a built-in volume compensator and relief plug. The housing is made of stainless steel (AISI 304) and the clamp connection and pressure sensor are made of stainless steel (AISI 316L).

As an option, it can be delivered electropolished and with 3A, 3.1 or calibration certificates



TECHNICAL DATA

Accuracy: Class 1.0 (±1%)

Measuring ranges

- 1 to 1 bar
- 0 to 4 bar
- 0 to 10 bar
- 0 to 16 bar
- 0 to 25 bar
- 0 to 40 bar
- 0 to 60 bar

Working principle

The pressure gauge working principle is build on the Bourdon principle where pressure applied on the diaphragm is transmitted via silicone oil to a bourdon tube which is in mechanical contact with the dial, and thus indicates the pressure applied on the diaphragm.

Pressure overload on diaphragm: short time 130% of FS

Certificates

- FDA conformity declaration (option)
- Calibration Certificate (option)
- 3.1 Certificate (option)

PHYSICAL DATA

Materials

Wetted parts: AISI 316L
 Casing: AISI304
 Glass: 4 mm thick glass
 Filling bourdon tube: FDA approved silicone oil
 Filling housing: FDA approved silicone oil

Operating temperature

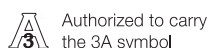
Wetted parts: up to 200°C.
 Casing: -20 to 70°C.

Weight

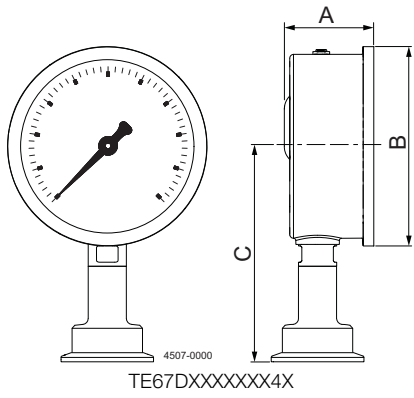
Pressure gauge with Diaphragm: Approx. 1 kg.

Process connection

Clamp DN38 (ISO2852) / Clamp DN40 (DIN32676).
 Clamp DN50 (ISO2857)/Clamp DN51 (DIN32676)

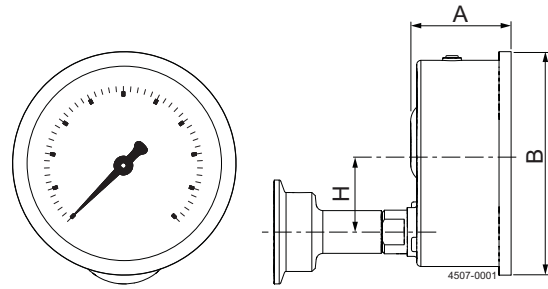


Dimensions (mm)



TE67DXXXXXX4X

	A	B	C
100 mm	45	108	114
80 mm	41	86	101.5



TE67DXXXXXX5X

	A	B
100 mm	45	108
80 mm	41	86

4.5

