

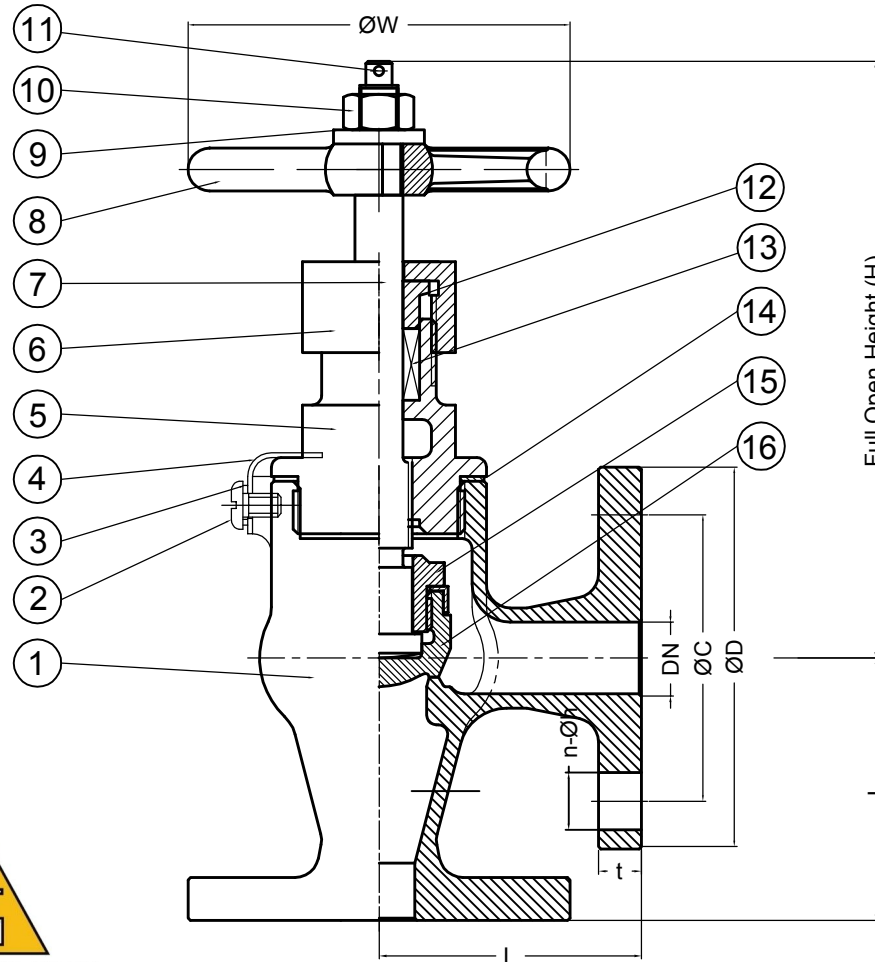
ΓΩΝΙΑΚΑ ΜΠΡΟΥΤΖΙΝΑ ΕΠΙΣΤΟΜΙΑ 5K

HYDRAULIC INSPECTION

TEST PRESSURE	BODY	1.03MPa
	SEAT	0.76MPa

PRESSURE RATING

FLUID CONDITION	MAXIMUM WORKING PRESSURE
STEAM OF 205°C OR LESS	0.49MPa
AIR,GAS,OIL AND PULSATION WATER	
NON-SHOCK WATER OF 120°C OR LESS	0.69MPa



Full Open Height (H)

L



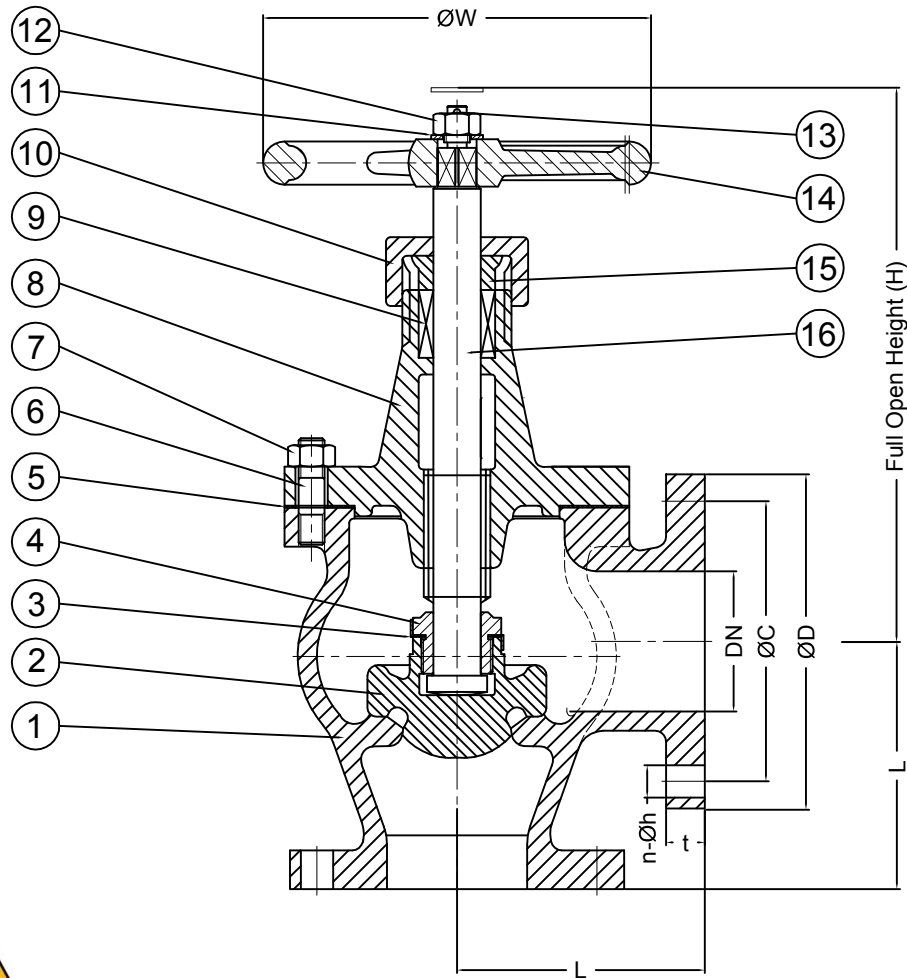
CHRYSSAFIDIS

MAIN DIMENSION FOR CONNECTING mm

MODEL	PN/DN	FACE TO FACE	FLANGE DIMENSIONS				WIDTH	HEIGHT	WEIGHT
		L	ØD	ØC	n-Øh	t	ØW	H	kg
F7302	5K15	55	80	60	4*12	9	80	120	1.98
F7302	5K20	60	85	65	4*12	10	100	130	2.73
F7302	5K25	65	95	75	4*12	10	125	145	3.44
F7302	5K32	80	115	90	4*15	12	125	150	4.77
F7302	5K40	85	120	95	4*15	12	140	165	5.99

NO.	NAME OF PART	MATERIAL	MARK
16	DISC	CAST BRONZE	BC6
15	DISC NUT	FORGED BRASS	C3771BD
14	GASKET	NON-ASBESTOS	
13	PACKING	FLEXIBLE GRAPHITE	
12	PACKING GLAND	FORGED BRASS	C3771BD
11	SPLIT PIN	STAINLESS STEEL	SS304
10	HEXAGON NUT	GALV' STEEL	SS400
9	WASHER	STEEL	SS400
8	HAND WEHEEL	CAST IRON	FC200
7	STEM	FORGED BRASS	C3771BD
6	GLAND NUT	FORGED BRASS	C3771BD
5	BONNET	CAST BRONZE	BC6
4	LOCK PLATE	COPPER ALLOY	C2600P
3	WASHER	STEEL	SS400
2	SET SCREW	COPPER ALLOY	C2700W
1	BODY	CAST BRONZE	BC6

REV	DATE	DESCRIPTION OF REASON	DWG	CHK'D	APP'D
DESCRIPTION		JIS F7302 5K CAST BRONZE ANGLE VALVES			
DWG	CHK'D	APP'D	SCALE	NON	
Bing Lee	KIM	Bing.	UNIT	mm	
DATE	Mar.05,2016	DWG NO.		REV	0



HYDRAULIC INSPECTION

TEST PRESSURE	BODY	1.03MPa
	SEAT	0.76MPa

PRESSURE RATING

FLUID CONDITION	MAXIMUM WORKING PRESSURE
STEAM OF 205°C OR LESS	0.49MPa
AIR,GAS,OIL AND PULSATION WATER	
NON-SHOCK WATER OF 120°C OR LESS	0.69MPa

16	STEM	FORGED BRASS	C3771BD
15	PACKING GLAND	FORGED BRASS	C3771BD
14	HAND WHEEL	CAST IRON	FC200
13	SPLIT PIN	STAINLESS STEEL	SS304
12	HEXAGON NUT	GALV' STEEL	SS400
11	WASHER	STEEL	SS400
10	GLAND NUT	FORGED BRASS	C3771BD
9	PACKING	FLEXIBLE GRAPHITE	
8	BONNET	CAST BRONZE	BC6
7	HEXAGON NUT	GALV' STEEL	SS400
6	STUD BOLT	GALV' STEEL	SS400
5	GASKET	NON-ASBESTOS	
4	DISC NUT	FORGED BRASS	C3771BD
3	DISC LOCK WASHER	COPPER ALLOY	C2600P
2	DISC	CAST BRONZE	BC6
1	BODY	CAST BRONZE	BC6

NO.	NAME OF PART	MATERIAL	MARK		
REV	DATE	DESCRIPTION OF REASON	DWG	CHK'D	APP'D
DESCRIPTION		JIS F7302 5K CAST BRONZE ANGLE VALVES			
DWG	CHK'D	APP'D	SCALE	NON	
Bing Lee	KIM	Bing.	UNIT	mm	
DATE	Mar.05,2016	DWG NO.		REV	0



MAIN DIMENSION FOR CONNECTING mm

MODEL	PN/DN	FACE TO FACE	FLANGE DIMENSIONS				WIDTH	HEIGHT	WEIGHT
		L	$\varnothing D$	$\varnothing C$	$n-\varnothing h$	t	$\varnothing W$	H	kg
F7302	5K50	100	130	105	4*15	14	140	200	10.10
F7302	5K65	115	155	130	4*15	14	160	220	15.60