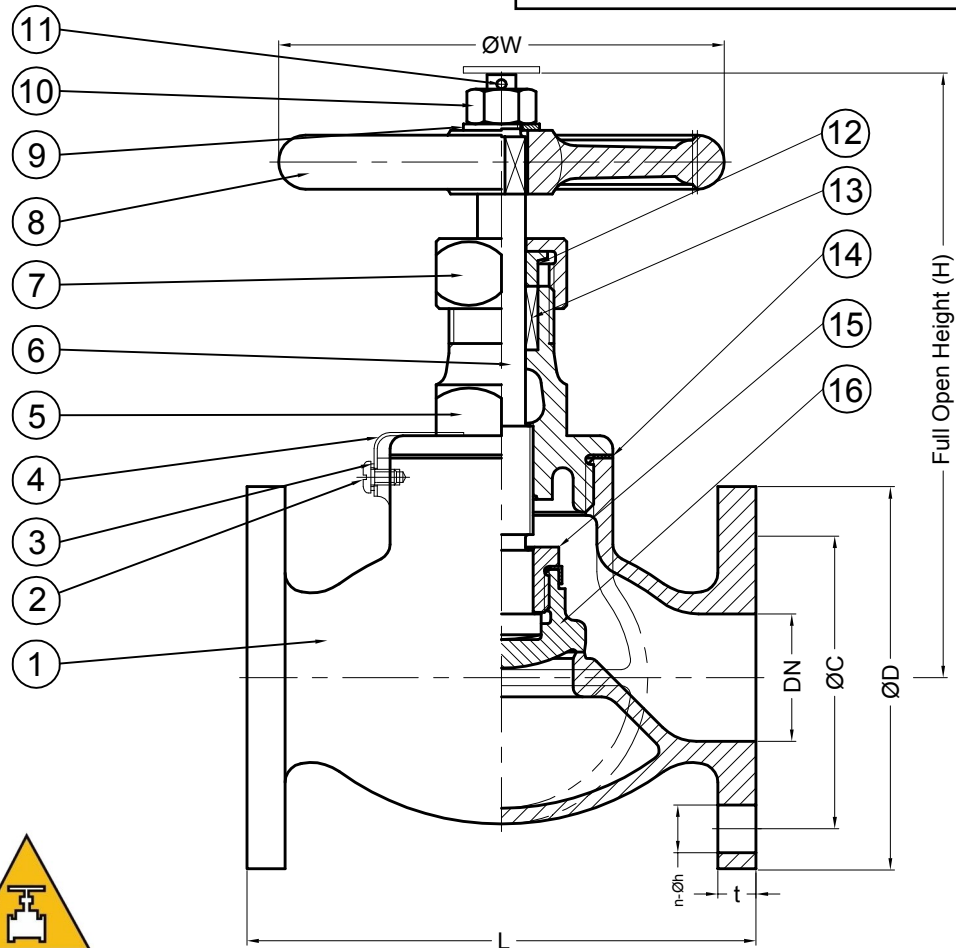


ΜΠΡΟΥΤΖΙΝΑ ΕΠΙΣΤΟΜΙΑ 5K



CHRYSsafidis

MAIN DIMENSION FOR CONNECTING mm

MODEL	PN/DN	FACE TO FACE	FLANGE DIMENSIONS				WIDTH	HEIGHT	WEIGHT
		L	ØD	ØC	n-Øh	t	ØW	H	kg
F7301	5K15	100	80	60	4*12	9	80	130	2.02
F7301	5K20	110	85	65	4*12	10	100	140	2.85
F7301	5K25	120	95	75	4*12	10	125	160	3.54
F7301	5K32	140	115	90	4*15	12	125	170	5.00
F7301	5K40	160	120	95	4*15	12	140	190	6.48

HYDRAULIC INSPECTION

TEST PRESSURE	BODY	1.03MPa
		SEAT

PRESSURE RATING

FLUID CONDITION	MAXIMUM WORKING PRESSURE
STEAM OF 205°C OR LESS	0.49MPa
AIR,GAS,OIL AND PULSATION WATER	
NON-SHOCK WATER OF 120°C OR LESS	0.69MPa

16	DISC	CAST BRONZE	BC6
15	DISC NUT	FORGED BRASS	C3771BD
14	GASKET	NON-ASBESTOS	
13	PACKING	FLEXIBLE GRAPHITE	
12	PACKING GLANG	FORGED BRASS	C3771BD
11	SPLIT PIN	STAINLESS STEEL	SS304
10	HEXAGON NUT	GALV' STEEL	SS400
9	WASHER	STEEL	SS400
8	HAND WHEEL	CAST IRON	FC200
7	GLAND NUT	FORGED BRASS	C3771BD
6	STEM	FORGED BRASS	C3771BD
5	BONNET	CAST BRONZE	BC6
4	LOCK PLATE	COPPER ALLOY	C2600P
3	WASHER	STEEL	SS400
2	SET SCREW	COPPER ALLOY	C2700W
1	BODY	CAST BRONZE	BC6
NO.	NAME OF PART	MATERIAL	MARK

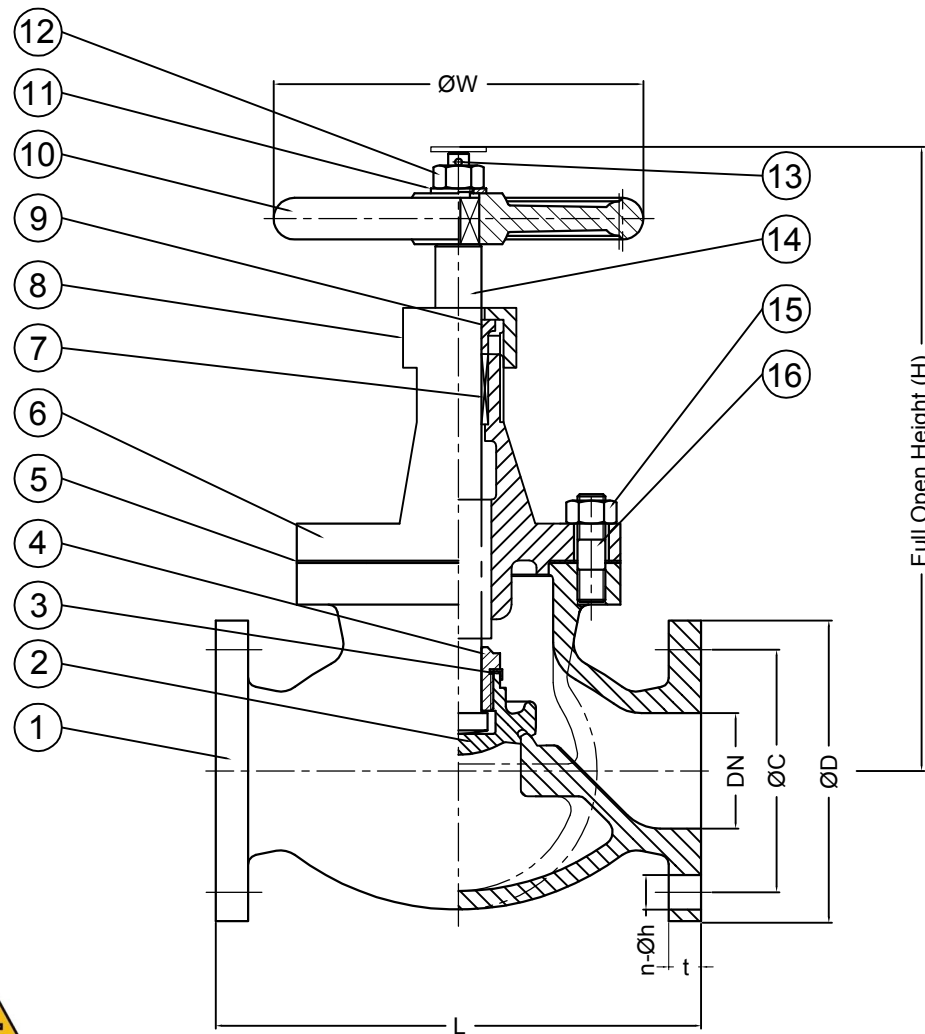
REV	DATE	DESCRIPTION OF REASON	DWG	CHK'D	APP'D
DESCRIPTION		JIS F7301 5K CAST BRONZE GLOBE VALVES			
DWG	CHK'D	APP'D	SCALE	NON	
Bing Lee	KIM	Bing.	UNIT	mm	
DATE	Mar.05,2016	DWG NO.		REV	0

HYDRAULIC INSPECTION

TEST PRESSURE	BODY	1.03MPa
	SEAT	0.76MPa

PRESSURE RATING

FLUID CONDITION	MAXIMUM WORKING PRESSURE
STEAM OF 205°C OR LESS	0.49MPa
AIR,GAS,OIL AND PULSATION WATER	
NON-SHOCK WATER OF 120°C OR LESS	0.69MPa



NO.	NAME OF PART	MATERIAL	MARK
16	STUD BOLT	GALV' STEEL	SS400
15	HEXAGON NUT	GALV' STEEL	SS400
14	STEM	FORGED BRASS	C3771BD
13	SPLIT PIN	STAINLESS STEEL	SS304
12	HEXAGON NUT	GALV' STEEL	SS400
11	WASHER	STEEL	SS400
10	HAND WHEEL	CAST IRON	FC200
9	PACKING GLAND	FORGED BRASS	C3771BD
8	GLAND NUT	FORGED BRASS	C3771BD
7	PACKING	FLEXIBLE GRAPHITE	
6	BONNET	CAST BRONZE	BC6
5	GASKET	NON-ASBESTOS	
4	DISC NUT	FORGED BRASS	C3771BD
3	DISC LOCK WASHER	COPPER ALLOY	C2600P
2	DISC	CAST BRONZE	BC6
1	BODY	CAST BRONZE	BC6

NO.	NAME OF PART	MATERIAL	MARK		
REV	DATE	DESCRIPTION OF REASON	DWG	CHK'D	APP'D
DESCRIPTION		JIS F7301 5K CAST BRONZE GLOBE VALVES			
DWG	CHK'D	APP'D	SCALE	NON	
Bing Lee	KIM	Bing.	UNIT	mm	
DATE	Mar.05,2016	DWG NO.		REV	0



MAIN DIMENSION FOR CONNECTING mm

MODEL	PN/DN	FACE TO FACE	FLANGE DIMENSIONS				WIDTH	HEIGHT	WEIGHT
		L	ØD	ØC	n-Øh	t	ØW	H	kg
F7301	5K50	210	130	105	4*15	14	140	235	11.7