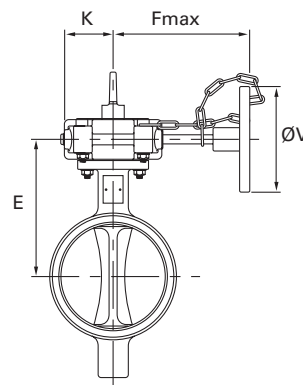
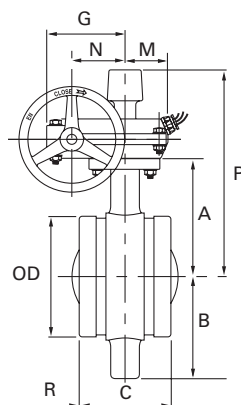




FIG. 39109S



Tyco BSP Article Number* (including Switches)	Nominal Size mm Inches	Pipe OD mm	Max. Wk Pressure Bar Psi	A	B	C	E	F	G	K	M	N	P	ØV	Approx Weight Kg
				mm	mm	mm	mm	mm	mm	mm	mm	mm	mm	mm	
39109SC060	50 2	60.3	12.1 175	100	77.5	81	130	208	111	75	60	75	225	150	8.4
39109SC073	65 2 1/2	73.0	12.1 175	105	82	97	135	208	111	75	60	75	232	150	9.5
39109SC076	65 2 1/2	76.1	12.1 175	105	82	97	135	208	111	75	60	75	232	150	9.5
39109SC089	80 3	88.9	12.1 175	112	90	97	142	208	111	75	60	75	232	150	9.9
39109SC114	100 4	114.3	12.1 175	135	107	116	165	208	111	75	60	75	239	150	11.6
39109SC139	125 5	139.7	12.1 175	147	121	148	177	208	111	75	60	75	262	150	14.8
39109SC141	125 5 1/2	141.3	12.1 175	147	121	148	177	208	111	75	60	75	262	150	14.8
39109SC165	150 6	165.1	12.1 175	180	150	148	210	215	111	75	60	75	274	225	18.2
39109SC168	150 6	168.3	12.1 175	180	150	148	210	215	111	75	60	75	274	225	18.2
39109SC219	200 8	219.1	12.1 175	204	172	133	234	215	111	75	60	75	274	225	20.5
39109SC273	250 10	273.0	12.1 175	250	233	159	301	276	179	138	104	132	307	300	46.3
39109SC324	300 12	323.9	12.1 175	275	258	165	326	276	179	138	104	132	307	300	55.0

* = for valves without switch replace SC by S.

Note: recommended for mounting with Grinnell Rigid couplings

Option: Silicon free valves for automotive industry. Because of the special grease, the agency approvals do not apply.

General notes: It is the Designer's responsibility to select products suitable for the intended service and to ensure that pressure ratings and performance data is not exceeded. Always read and understand the installation constructions. Never remove any piping components nor correct or modify any piping deficiencies without first depressurizing and draining the system. Material and seat selection should be verified to be compatible for the specific application.



MATERIAL SPECIFICATION

Body: Ductile iron ASTM A-395
Disc: Ductile iron / EPDM coating
Control shaft: Stainless Steel AISI-420
Spindle: Stainless Steel AISI-420

Bushing: PTFE bronze sintered on steel
Retainer plug: Plated steel ASTM A-283 Gr B
O-ring: Nitrile NBR.
Locking ring: Spring steel.