

ΑΝΟΞΕΙΔΩΤΟΣ ΜΕΙΩΤΗΣ ΧΑΜΗΛΗΣ ΠΙΕΣΗΣ



LOW PRESSURE TYPE DIRECT-ACTIVATED PRESSURE REDUCING VALVE (Stainless Steel 316)

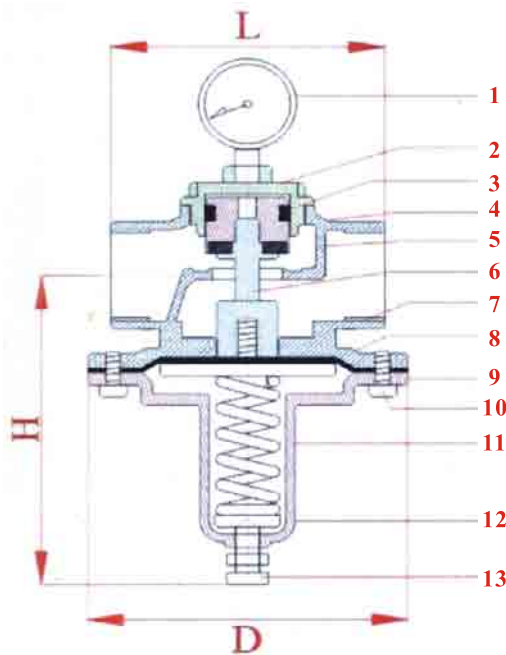
- ▶ Valve Body is made by Stainless Steel #316, suitable for fluid, air and oil.
- ▶ Larger diaphragm is more sensitive to pressure.



CHRYSSAFIDIS



- ▶ Pressure Adjusting Range : 0.2 ~ 1.5 kgf/cm²
- ▶ Applied Temperature : -15 ~ 80°C
- ▶ Valve Body Testing Pressure : 16 kgf/cm²
- ▶ Maximum Applied Pressure : 10 kgf/cm²



Thread / Flange Type

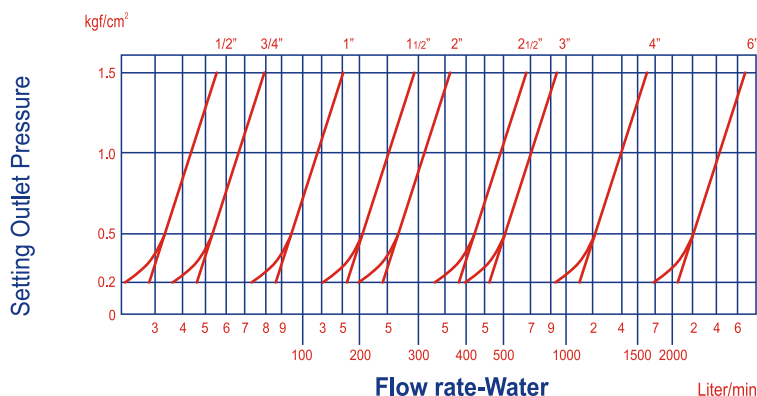
◎ Thread type does not have Part No. 10.

| No | Part Name | Material |
|----|----------------|-------------------------------------|
| 1 | Gauge | Stainless Steel |
| 2 | Upper Cover | Stainless Steel 316 |
| 3 | U-ring | NBR / Viton |
| 4 | Piston | Stainless Steel 316 |
| 5 | Sealing Spacer | NBR / Viton |
| 6 | Shaft | Stainless Steel 316 |
| 7 | Main Body | Stainless Steel 316 |
| 8 | Diaphragm | CR with Teflon Coating / CR / Viton |
| 9 | Lower Cover | Stainless Steel 316 |
| 10 | Fixed Bolt | Stainless Steel 304 |
| 11 | Spring | Spring Steel |
| 12 | Washer | Brass |
| 13 | Adjusting Stem | Stainless Steel 304 |

(Thread Type)

| Item No | Size | H(mm) | L(mm) | D(mm) | Weight(kg) | CV |
|----------|--------|-------|-------|-------|------------|------|
| RELT15-S | 1/2" | 110 | 70 | 105 | 1.3 | 2.4 |
| RELT20-S | 3/4" | 125 | 85 | 105 | 1.5 | 9.0 |
| RELT25-S | 1" | 125 | 90 | 105 | 1.6 | 11.0 |
| RELT40-S | 1 1/2" | 155 | 115 | 145 | 3.0 | 21.0 |
| RELT50-S | 2" | 155 | 120 | 145 | 4.0 | 25.0 |

Flow Chart of Direct-activated Pressure Reducing Valve



(Flange Type)

| Item No | Size | H(mm) | L(mm) | Weight(kg) | CV |
|-----------|--------|-------|-------|------------|-------|
| RELF15-S | 1/2" | 110 | 150 | 2.5 | 2.4 |
| RELF20-S | 3/4" | 125 | 150 | 3.5 | 9.0 |
| RELF25-S | 1" | 125 | 150 | 5.6 | 11.0 |
| RELF40-S | 1 1/2" | 155 | 190 | 8.7 | 21.0 |
| RELF50-S | 2" | 155 | 190 | 13.5 | 25.0 |
| RELF65-S | 2 1/2" | 185 | 210 | 17.8 | 75.0 |
| RELF80-S | 3" | 185 | 225 | 20.0 | 80.0 |
| RELF100-S | 4" | 230 | 250 | 27.5 | 120.0 |
| RELF150-S | 6" | 290 | 310 | 45.0 | 250.0 |