



Cert. No. LRQ 0963008

ISO 9001

# spirax sarco

TI-P148-12  
ST Issue 6

## CA14 SG Iron



## Air and Gas Trap 1/2" and 3/4" (Screwed) CHRYSSAFIDIS

### Description

The CA14 is a range of float type automatic liquid drainers for air and gas systems. The body and cover are of SG iron and the complete unit is readily maintainable.

The standard version with a Viton valve cone is designated CA14. A stainless steel valve cone version is designated CA14S.

### Standards

The product fully complies with the requirements of the European Pressure Equipment Directive 97/23/EC.

### Certification

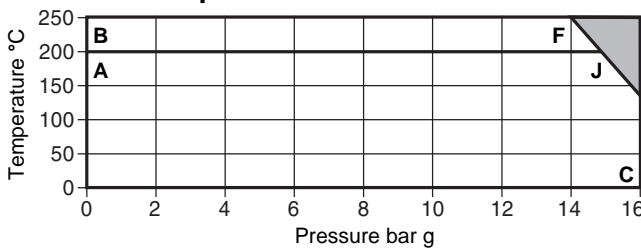
The product is available with material certification to EN 10204 2.2

**Note:** All certification/inspection requirements must be stated at the time of order placement.

### Sizes and pipe connections

1/2" and 3/4" screwed BSP or NPT.

### Pressure/temperature limits



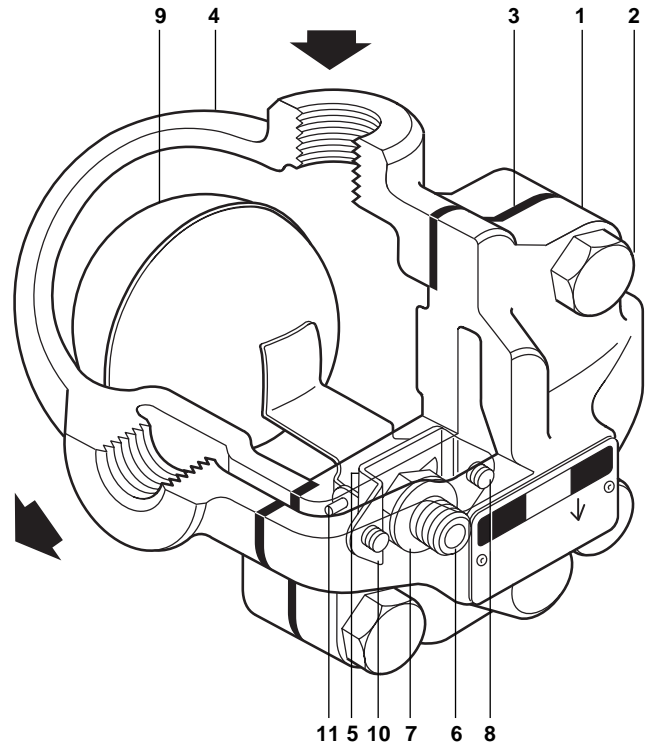
The product **must not** be used in this region.

**A - J - C** CA14 screwed BSP or NPT.

**B - F - C** CA14S screwed BSP or NPT.

Body design conditions	PN16
PMA Maximum allowable pressure @ 120°C	16 bar g
TMA Maximum allowable temperature	250°C
Minimum allowable temperature	0°C
PMO Maximum operating pressure	16 bar g
TMO Maximum operating temperature:	<b>CA14</b> 200°C @ 14.7 bar g <b>CA14S</b> 250°C @ 13.9 bar g
Minimum operating temperature	0°C
ΔPMX Maximum differential pressure bar, depending on the specific gravity of the liquid being drained:	
<b>Specific gravity</b>	<b>1.0</b> <b>0.9</b> <b>0.8</b> <b>0.7</b> <b>Min. 0.6</b>
<b>ΔPMX bar</b>	14.0   14.0   14.0   9.0   5.0
ΔPMN Minimum differential pressure	0.1 bar

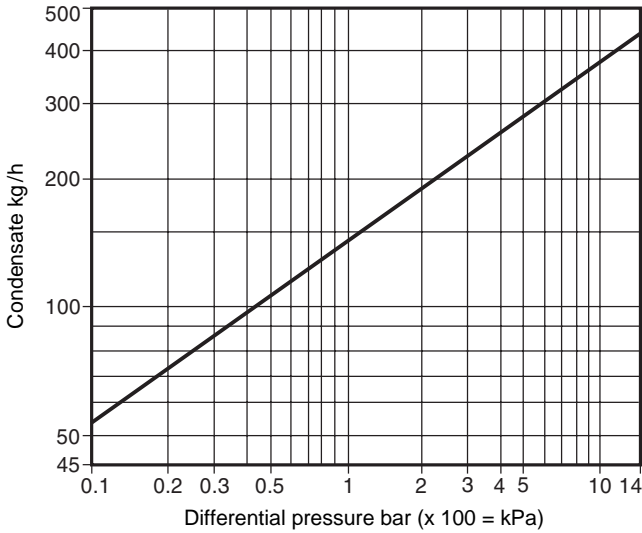
Designed for a maximum cold hydraulic test pressure of 24 bar g



### Material

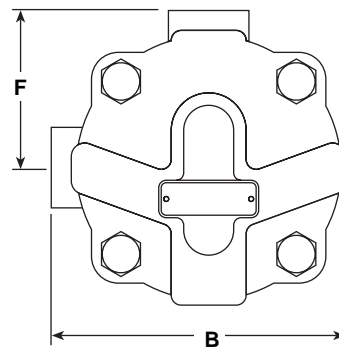
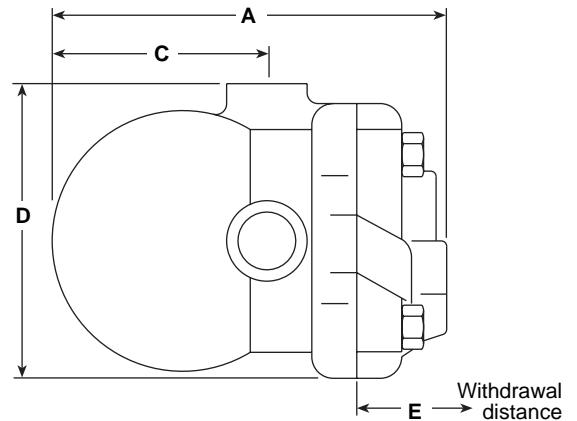
No.	Part	Material
1	Body	SG iron DIN 1693 GGG 40
2	Cover bolt	Steel BS 3692 Gr. 8.8
3	Cover gasket	Reinforced exfoliated graphite
4	Cover	SG iron DIN 1693 GGG 40
5	Main valve cone	CA14 Synthetic rubber Viton CA14S Stainless steel AISI 440B
6	Main valve seat	Stainless steel BS 970 431 S29
7	Main valve seat gasket	Stainless steel BS 1449 304 S11
8	Main valve assembly screws	Stainless steel BS 6105 CI A270
9	Ball float and lever	Stainless steel BS 1449 304 S16
10	Pivot frame	Stainless steel BS 1449 304 S16
11	Pivot pin	Stainless steel

**Capacities**



**Dimensions (approximate) in mm and kg**

Size	A	B	C	D	E	F	Weight
1/2"	147	114	80	114	105	60.5	2.5
3/4"	147	114	80	114	105	60.5	2.5



**Safety information, Installation and Maintenance**

For full details see the Installation and Maintenance Instructions (IM-P144-02) supplied with the product.

**Installation note:**

The CA14 must be installed with the direction of flow as indicated on the body, and with the float arm in a horizontal plain so that it rises and falls vertically.

**Disposal**

If a product which contains a Viton component has been subjected to a temperature approaching 315°C or higher, then it may have decomposed and formed hydrofluoric acid. Avoid skin contact and inhalation of any fumes as the acid will cause deep skin burns and damage to the respiratory system. Viton must be disposed of in a recognised manner as stated in the Installation and Maintenance Instructions. No other ecological hazard is anticipated with the disposal of this product providing due care is taken.

**How to order**

**Example:** 1 off Spirax Sarco 1/2" CA14 having screwed BSP connections with SG iron body and cover.

**Spare parts**

The spare parts available are shown in heavy outline. Parts drawn in broken lines are not supplied as spares.

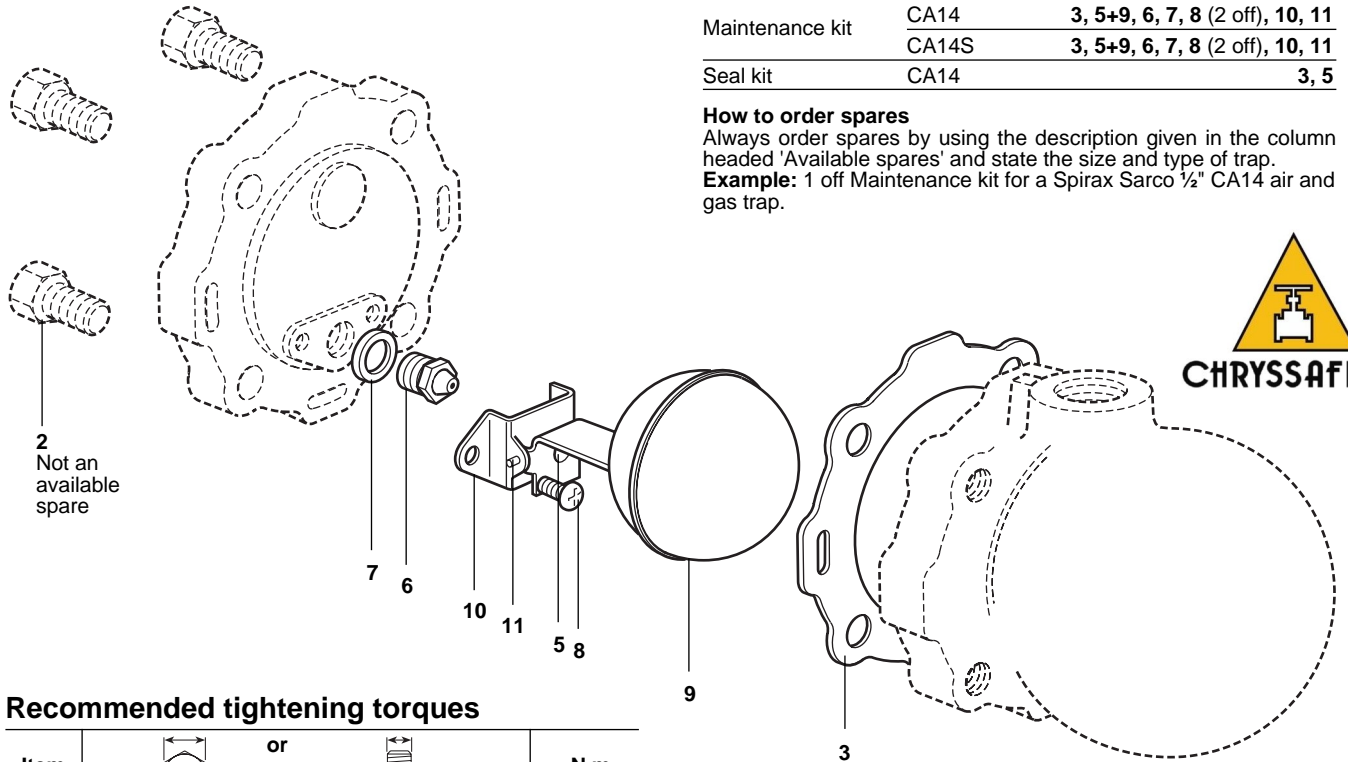
**Available spares**

Maintenance kit	CA14	3, 5+9, 6, 7, 8 (2 off), 10, 11
	CA14S	3, 5+9, 6, 7, 8 (2 off), 10, 11
Seal kit	CA14	3, 5

**How to order spares**

Always order spares by using the description given in the column headed 'Available spares' and state the size and type of trap.

**Example:** 1 off Maintenance kit for a Spirax Sarco 1/2" CA14 air and gas trap.



**Recommended tightening torques**

Item	or mm	N m
2	17 A/F	47 - 50
6	17 A/F	50 - 55
8	Pozidrive	2.5 - 3.0