

Extended Bonnet Cryogenic Globe Valves

BK and BKA Series Valves

Application

The BK and BKA Series valves are designed exclusively for the handling of cryogenic liquids on bulk storage tanks, transports, and pipelines. These globe valves provide positive shutoff and offer a long, low-maintenance service life. The valves are available with a variety of inlet and outlet connections and stem lengths. Certain BK valves are offered with brazed-in Sch 5 Stainless Steel Pipe Stubs.

Features

- CTFE seat disc and swivel seat design offer positive shut-off, minimal seat wear, and a long service life.
- Unique spring-loaded upper packing provides extended service life without constant packing adjustment
- One piece slip-on seat assembly for easy replacement.
- Each valve is pressure tested to be leak free.
- Each valve is cleaned and packaged for oxygen service per CGA G-4.1.
- Maximum working pressure is 600 psig CWP.
- Working temperature range is -320 F to +165 F.

Materials

Body.....Bronze
 Body and Bonnet.....Brass
 Seat Disc.....CTFE
 Seat Retainer AssemblyBrass
 Stem and Bonnet Extension Tube.....Stainless Steel
 Packing Spring, WasherStainless Steel
 Jam Ring and Pressure Seal RingsPTFE
 Upper Bonnet, Packing Gland.....Brass
 Handwheel.....Aluminum for up to 1" valve size,
 Coated Malleable Iron for larger sizes

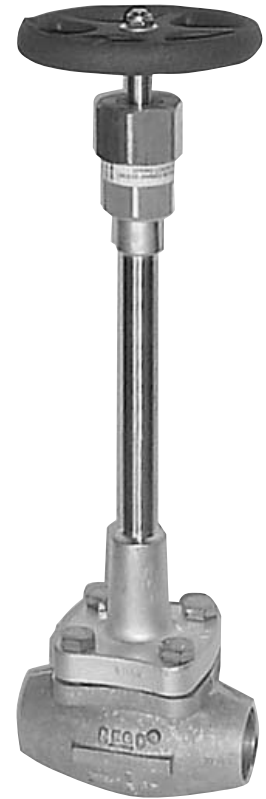
Bonnet Design

Union Bonnet for 1/2", 3/4", 1" valve sizes and on both the 1" model BKA8408S and 1 1/2" model BKA8412S angle valves.

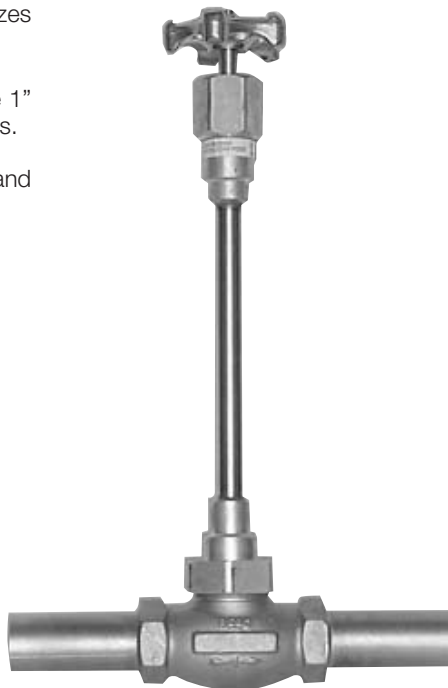
Bolted Bonnet design is used on the BK9410, BK9412, and BK9416 models.



BK 8408T



BK 9412S



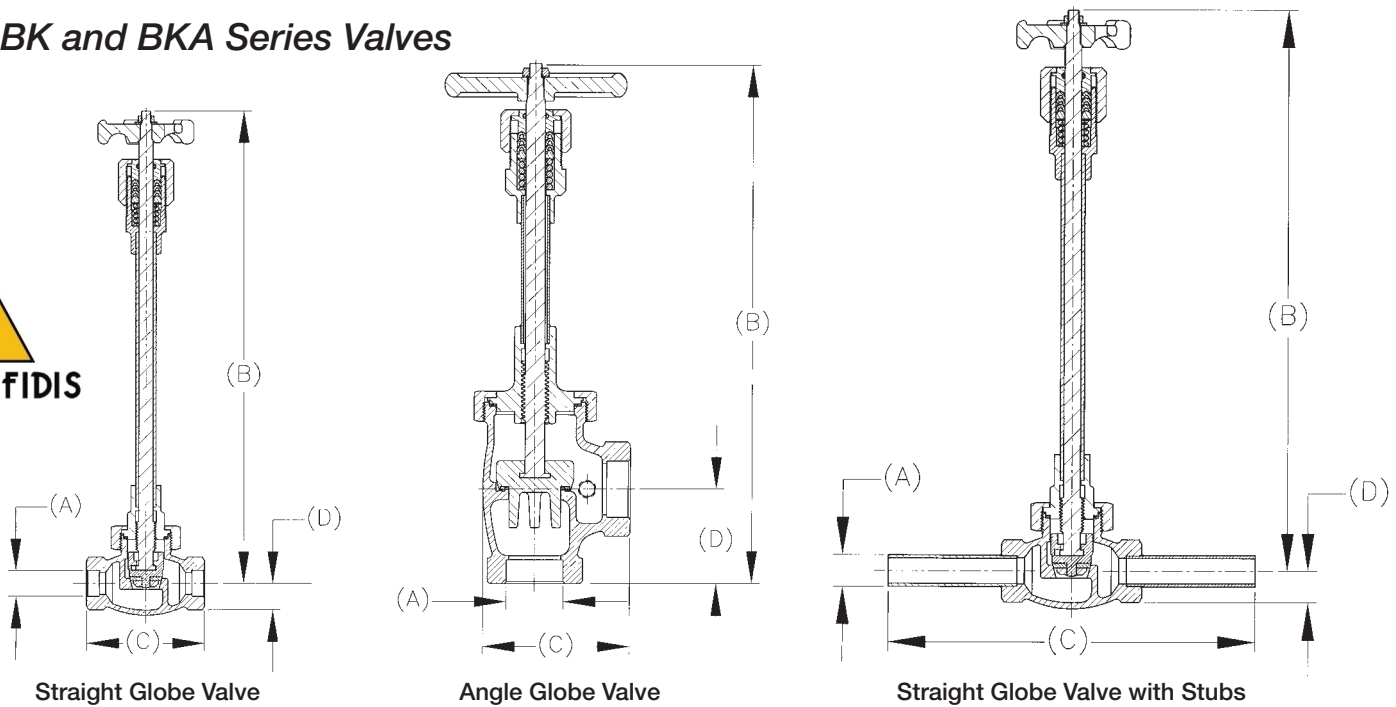
BK 9408AA



BKA 8412S

Extended Bonnet Cryogenic Globe Valves

BK and BKA Series Valves



Ordering Information and Dimensions

Part Number	Body Style	Inlet / Outlet Connections A	Height Open B (Approx.)	Length C	D	Cv Factor
BK8404S	Straight	.631"-.634"	9 ⁵ / ₃₂ "	3 ¹ / ₁₆ "	1"	4.7
BK8404T		1/2" F.NPT				
BK8404ST		.631"-.634"x 1/2" F.NPT				
BK9404S		.631"-.634"	14 ¹ / ₂ "	3 ¹ / ₁₆ "	1"	4.7
BK9404T		1/2" F.NPT				
BK9404AA		1/2" Sch5 Pipe				
BK9404PT-F30		1/2" Sch5 Pipe x 1/2" F.NPT				
BK9404ST		.631"-.634"x1/2" F.NPT	9 ⁵ / ₃₂ "	3 ¹ / ₁₆ "	1"	6.7
BK8406S		.881"-.884"				
BK8406T		3/4" F.NPT	14 ¹ / ₂ "	3 ¹ / ₁₆ "	1"	6.7
BK9406S		.881"-.884"				
BK9406T		3/4" F.NPT				
BK8408S		1.131"-1.134"	9 ¹ / ₈ "	4 ⁵ / ₁₆ "	1 ¹ / ₈ "	11.2
BK8408T		1" F.NPT				
BK9408S		1.131"-1.134"	14 ¹ / ₂ "	4 ⁵ / ₁₆ "	1 ¹ / ₈ "	17.5
BK9408T		1" F.NPT				
BK9408AA		1" Sch5 Pipe				
BK9408PT-F30		1" Sch5 Pipe x 1" F.NPT				
BK9410S*		1.378"-1.380"	16 ⁷ / ₁₆ "	5 ³ / ₁₆ "	1 ¹ / ₂ "	25.1
BK9412S*		1.631"-1.634"				
BK9412T*	1 ¹ / ₂ " F.NPT	16 ⁷ / ₁₆ "	11 ³ / ₁₆ "	1 ¹ / ₂ "	41	
BK9412AA	1 ¹ / ₂ " Sch5 Pipe					
BK9412PT-F30	1 ¹ / ₂ " Sch5 Pipe x 1 ¹ / ₂ " F.NPT					
BK9416S*	2.131" - 2.134"	16"	6"	1 ⁵ / ₈ "	30.0	
BK9416T*	2" F.NPT					
BK9416PT-F30	2" Sch5 Pipe x 2" F.NPT					
BKA8408S	Angle	1.131" - 1.134" x 1.631" - 1.634"	11 ¹ / ₄ "	3 ¹ / ₄ "	1 ³ / ₄ "	14.5
BKA9408S			14 ⁵ / ₈ "			
BKA8412S		1.631"-1.634"	13"			

* Valves with bolted bonnet design.

REGO CRYO-FLOW PRODUCTS

Division of Engineered Controls International, Inc.