

# s.142 bib-cock

## 3/8"-1" hot forged brass

### with 3/4" outlet and hose



3045xxA 1/1



CHRYSsafidis

### Features and Specifications:

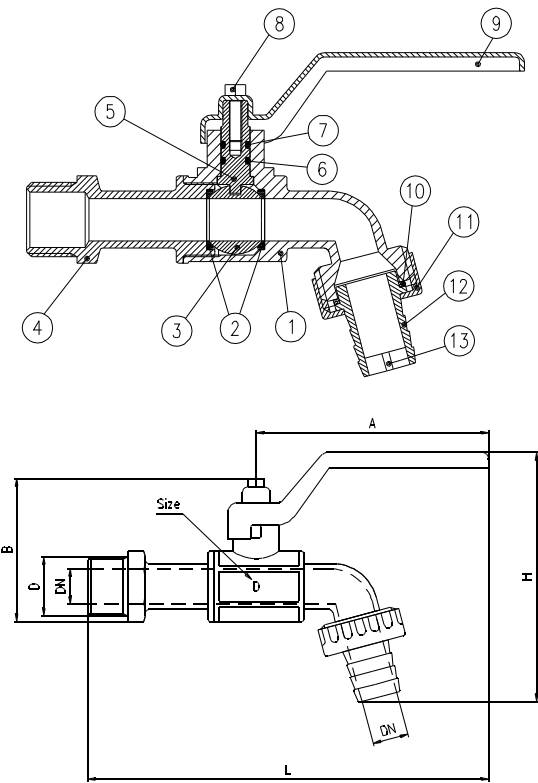
- Angle pattern ball bib-cock with hose fitting
- Hot forged sand blasted nickel plated brass body
- Copper alloy brass according to EN 12165 and EN 12164 specification
- Approved by GOST-R (RU), Hygenic (RU), ROSTEKHNADZOR (RU), UkrSepro(U)
- Pure PTFE seats
- Chrome plated brass ball for longer life
- FPM and NBR O-rings at the stem for maximum safety
- Enameled red steel handle
- UNI ISO 228 Male inlet thread
- 3/4" threaded outlet complete with hose
- 15 bar (Kg/cm<sup>2</sup>) up to 3/4", 12 bar over, non-shock cold working pressure
- Range: -20°C +80°C temperature



### Approved By:



The product described in this document meets the requirements of PED Directive 97/23 and according to art.3 par. 3, it does not require CE marking



NOTE: Approvals apply to specific configurations only.

PART DESCRIPTION	Material	Q.ty
1 Nickel plated body	CW617N	1
2 Seat	Ptfe	2
3 Chrome plated ball	CW614N	1
4 Nickel plated end cap	CW617N	1
5 Stem O-Ring design	CW614N	1
6 O-Ring	FPM	1
7 O-Ring	NBR	1
8 Screw	Steel	1
9 Red handle	Steel	1
10 Washer	PVC rubber	1
11 Nickel plated nut	CW617N	1
12 Nickel plated hose	OT63	1
13 Infuser	Vestolen	1

Code	142C0P	142D0P	142E0P	142F0P
D (inch)	3/8	1/2	3/4	1
DN(mm)	10	12	12	15
B (mm)	53	53	61	65
L (mm)	134	137	148.5	158
A (mm)	80	80	88.5	88.5
H (mm)	93	93	108	126

Ask for additional information on the whole range of RuB valves and consult with your supplier for special applications.

**RUB RUBINETTERIE UTENSILERIE BONOMI**

Via Padana Superiore 27/29 25080 Ciliverghe di Mazzano (Bs) Italy  
Ph: +39 030 212441 - Fax: +39 030 262948



The company reserves all rights for the information contained herein. Products may be changed at any time without notice. Any undated reference to a code or standard shall be interpreted as referring to the latest edition. RuB and logo are registered trademarks of RuB-Rubinetterie Utensilerie Bonomi. Others logos are property of respective owners.