



CHRYSSAFIDIS

# valve cimberio

## CIM 34/1

## ΚΑΝΟΥΛΕΣ ΑΝΤΙΠΑΓΩΤΙΚΕΣ

### RUBISTAR - ANTIFROST BALL BIB COCK WITH HOSE UNION



#### SERVICE-RECOMMENDATIONS:

The RUBISTAR are manufactured in accordance with EN29000 - ISO9000 and can be used for domestic plumbing, industrial applications, agricultural requirements, generally with every non aggressive fluid.

Rubistar has just been further developed by introducing a major technological innovation, that is the antifrost system which has been enriching and completing its range of use.

The antifrost system prevents water from stagnating thus ruling out the chance of cracks inside the bib cock in case of freezing.

#### ADVANTAGES:

Antifrost system

Perfect tightness in any working condition

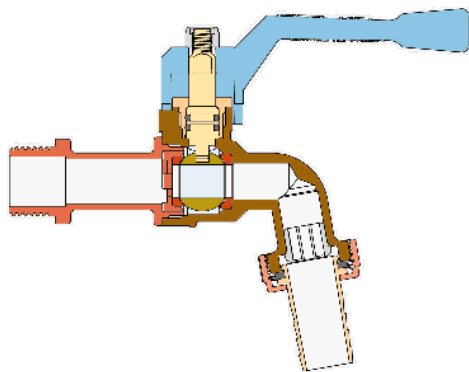
Resistance to wear

Quick manoeuvre by ¼ handle turn

Easy eye check, even from a distance

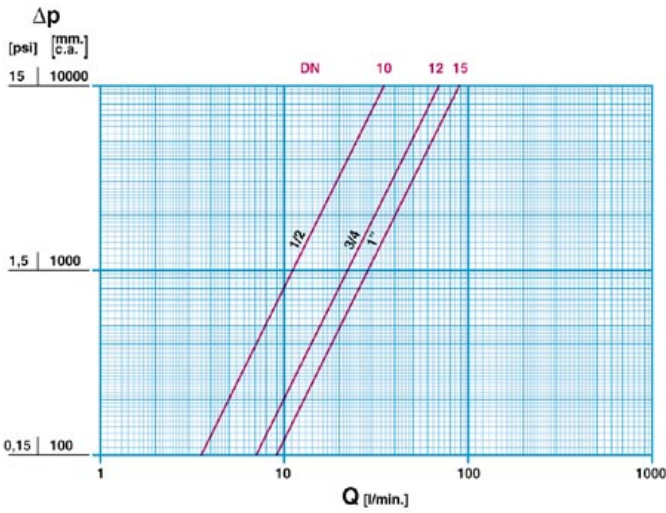
Smooth flowing of the fluids

#### CROSS SECTION



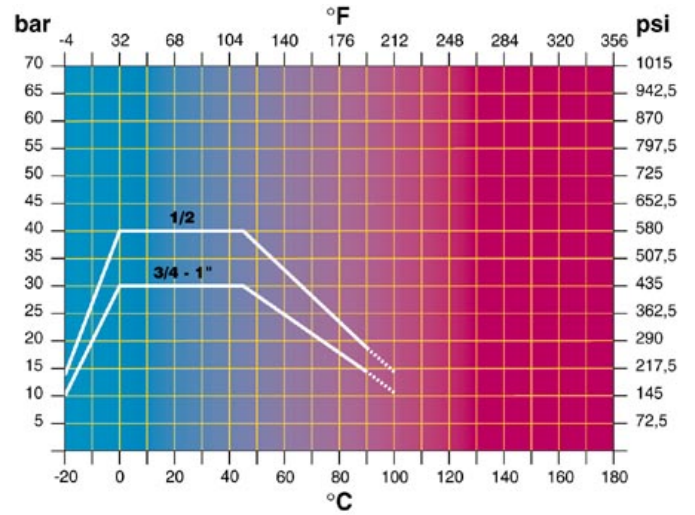
NUT:	SELF LOCKING TYPE
HANDLE:	ALLUMINIUM AL SI 12
STEM:	FROM BRASS BAR EN 12164 CW 614N
STEM RING:	FROM BRASS BAR EN 12164 CW 614N
O-RING:	NBR
EXTENSION:	HOT PRESSED DIRECTLY FROM BRASS BAR EN 12165 CW 617N
BALL GASKET:	P.T.F.E
BALL :	FROM BRASS BAR EN 12164 CW 614N
BODY :	HOT PRESSED DIRECTLY FROM BRASS BAR EN 12165 CW 617N
RING:	FROM BRASS BAR EN 12164 CW 614N
HOSE UNION:	FROM BRASS BAR EN 12164 CW 614N
GASKET:	RUBBER
STREAM CUT:	NYLON 6/6

## FLOW AND PRESSURE DROP



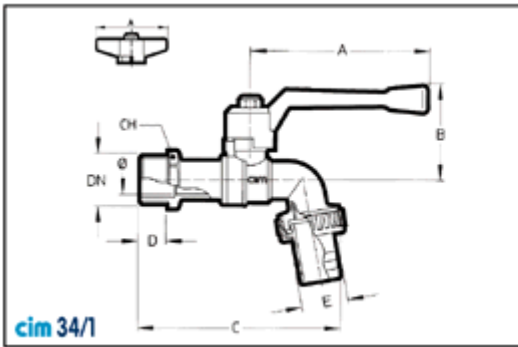
Flow and pressure drop  
 1 l/min = 0,06 m<sup>3</sup>/h  
 1 m<sup>3</sup>/h = 16,67 l/min

## PRESSURE TEMPERATURE RATINGS



Pressure / temperature ratings  
 1 bar = 14,5 p.s.i.  
 $^{\circ}\text{C} = 5/9 ( ^{\circ}\text{F}-32)$   
 $^{\circ}\text{F} = 32+9/5 ^{\circ}\text{C}$

## TECHNICAL DRAWING



DN	1/2	3/4	1"
Ø mm.	10	12	15
Grms	265	355	590
A cim 34/1-34/1PL	80	80	100
A cim 334/1	70	70	70
B	52	53	55
C	103	113	130
D	14	16	15
E	16	23	28
CH	23	29	36

Connection:  
 ISO 228

On request:  
 ANSI B.1.20.1 (NPT)

