



CHRYSSAFIDIS

valve
cimberio

304205A 1/2

CIM 39

ΔΙΑΚΟΠΤΕΣ ΠΛΥΝΤΗΡΙΩΝ ΓΩΝΙΑΚΟΙ

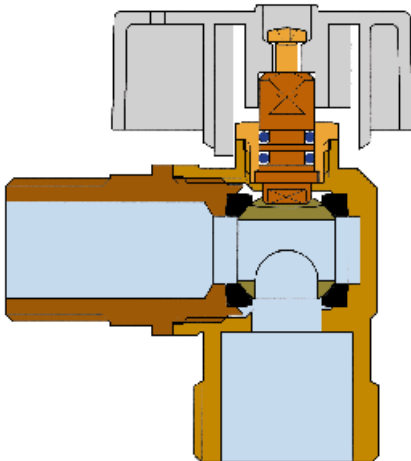
RIGHT ANGLE BALL VALVE FOR WASHING MACHINE



SERVICE RECOMMENDATIONS:

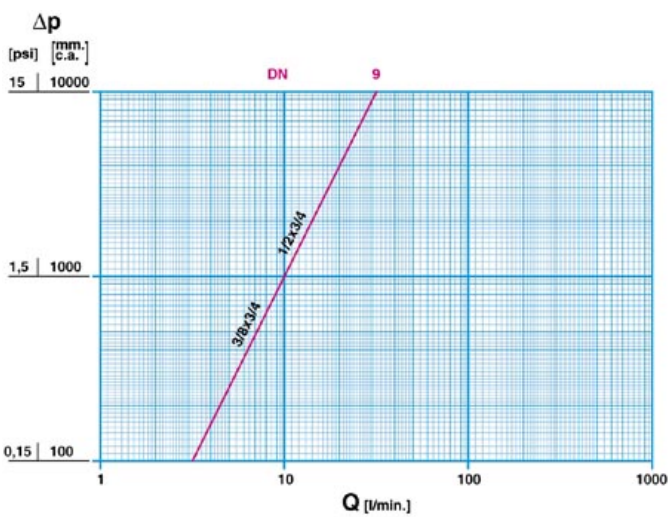
The CIM39 ball valve is manufactured in accordance with EN29000 - ISO9000 and can be used for: domestic and commercial plumbing, industrial applications, agricultural requirements and heating, sanitary, pneumatic systems, waterworks, oil pipelines, oil, gasoline networks, saturated steam or high temperature, hot water services, condensate lines and is suitable for petrol and other hydrocarbon services, generally with every non aggressive fluid.

CROSS SECTION



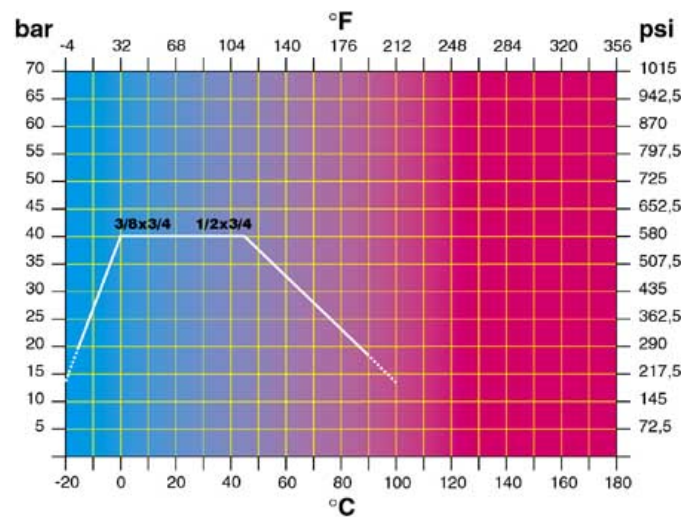
SCREW :	MACHINED FROM DRAWN BRASS BAR EN12164 CW 614N
HANDLE :	NYLON 6/6
CAPSULE :	MACHINED FROM DRAWN BRASS BAR EN12164 CW 614N
STEM :	MACHINED FROM DRAWN BRASS BAR EN12164 CW 614N
SETM GASKETS :	O'RINGS IN NBR
BALL GASKETS :	P.T.F.E.
BALL :	MACHINED FROM DRAWN BRASS BAR EN12164 CW 614N
BODY :	HOT FORGED BRASS EN12165 CW 617N

FLOW AND PRESSURE DROP



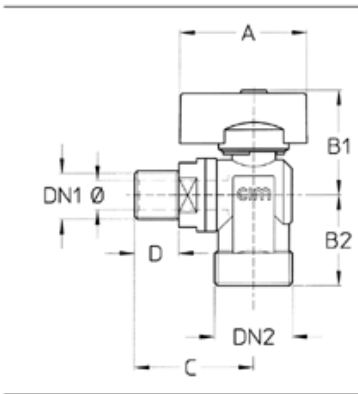
Flow and pressure drop
 1 l/min = 0,006 m³/h
 1 m³/h = 16,67 l/min

PRESSURE TEMPERATURE RATINGS



Pressure / temperature ratings
 1 bar = 14,5 p.s.i.
 $^{\circ}\text{C} = 5/9 (^{\circ}\text{F}-32)$
 $^{\circ}\text{F} = 32+9/5 ^{\circ}\text{C}$

TECHNICAL DRAWING



DN1	5/8	1/2
DN2	5/4	5/4
Ø mm.	9	9
Grms.	180	175
A	43	43
B1	36	36
B2	31	31
C	40	40
D	16	16
CH	22	22

Connection:
 ISO 228

TECHNICAL CHARACTERISTICS

	KV	CM	CS	MT
DN1 x DN2		3/8 x 3/4		1/2 x 3/4
Ø mm.		9		9
KV		2		2
CM		1,5		1,5
CS		2		2
MT		9		9

KV = Capacity in m³/h at pressure drop of 1 bar
 CM = Working torque in Nm.
 CS = Starting torque in Nm.
 MT = Maximum torque on the stem in Nm.

