

## CIM 34

ΚΑΝΟΥΛΕΣ ΜΕ ΡΑΚΟΡ ΕΛΑΣΤΙΚΟΣΩΛΗΝΑ

**RUBISTAR - BALL BIB COCK WITH HOSE UNION - NICKEL PLATED - ALLUMINIUM LEVER HANDLE**



### SERVICE

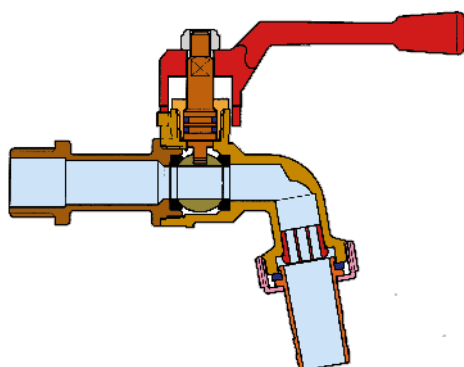
#### RECOMMENDATIONS:

The RUBISTAR are manufactured in accordance with EN29000 - ISO9000 and can be used for domestic plumbing, industrial applications, agricultural requirements, generally with every non aggressive fluid.

#### ADVANTAGES:

Exceptional wear resistance superior to the traditional bib cock; completely leak proof under any normal working condition. The angle through design offers little resistance to flow and reduces pressure drop to a minimum.

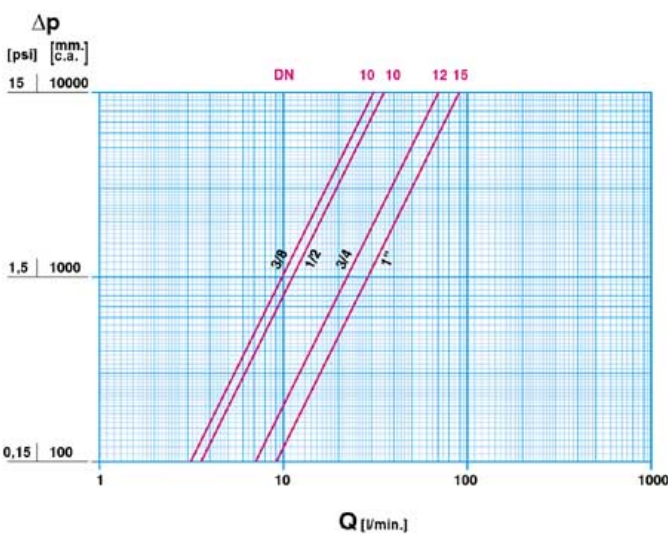
### CROSS SECTION



NUT :	SELF LOCKING TYPE
HANDLE :	ALLUMINIUM ALLOY AL-SI 12
CAPSULE :	MACHINED FROM DRAWN BRASS BAR EN12164 CW 614N
STEM :	MACHINED FROM DRAWN BRASS BAR EN12164 CW 614N
STEM GASKETS :	O'RINGS IN NBR
EXTENSION :	HOT FORGED BRASS EN12165 CW 617N
BALL GASKETS :	P.T.F.E.
BALL :	HOT FORGED BRASS EN12165 CW 617N
BODY :	HOT FORGED BRASS EN12165 CW 617N
BONNET :	HOT FORGED BRASS EN12165 CW 617N
HOSE UNION :	MACHINED FROM DRAWN BRASS BAR EN12164 CW 614N

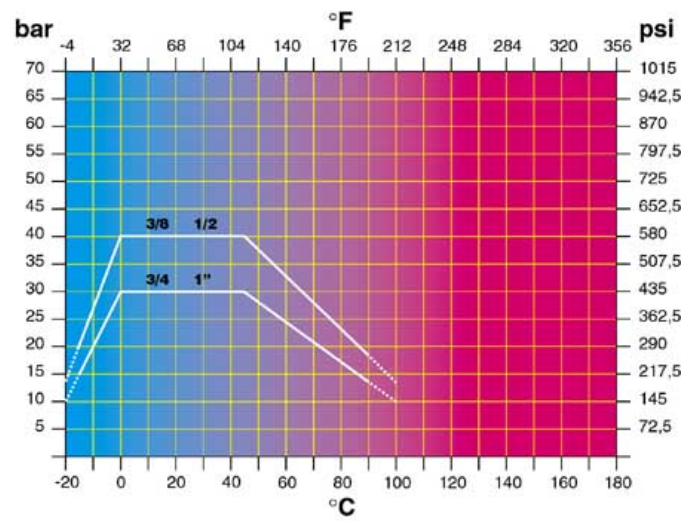


## FLOW AND PRESSURE DROP



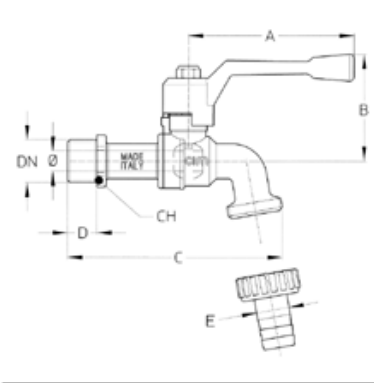
Flow and pressure drop  
 1 l/min = 0,006 m<sup>3</sup>/h  
 1 m<sup>3</sup>/h = 16,67 l/min

## PRESSURE TEMPERATURE RATINGS



Pressure / temperature ratings  
 1 bar = 14,5 p.s.i.  
 $^{\circ}\text{C} = 5/9 (^{\circ}\text{F}-32)$   
 $^{\circ}\text{F} = 32+9/5 ^{\circ}\text{C}$

## TECHNICAL DRAWING



DN	3/8	1/2	3/4	1"
Ø mm.	10	10	12	15
Germs.	255	265	355	590
A	80	80	80	100
B	52	52	53	55
C	91	103	113	130
D	9	14	16	15
E	14	16	22	28
CH	21	23	29	36

Connection:  
 ISO 228

On request:  
 ANSI B.1.20.1 (NPT)

## TECHNICAL CHARACTERISTICS

	KV	CM	CS	MT
DN	3/8	1/2	3/4	1"
Ø mm.	10	10	12	15
KV	1,8	2	4,3	5,4
CM	1	1	1	3
CS	2	2	2	6
MT	10	10	10	10

KV = Capacity in m<sup>3</sup>/h at pressure drop of 1 bar  
 CM = Working torque in Nm.  
 CS = Starting torque in Nm.  
 MT = Maximum torque on the stem in Nm.

