



valve cimberio

304034A 1/2

CIM 340T

ΚΑΝΟΥΛΕΣ ΜΕ ΟΡΕΙΧΑΛΚΙΝΗ ΛΑΒΗ

RUBISTAR - BALL BIB COCK WITH BRASS HANDLE



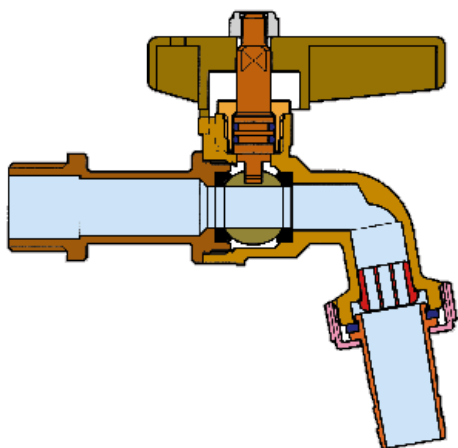
SERVICE RECOMMENDATIONS:

The RUBISTAR are manufactured in accordance with EN29000 - ISO9000 and can be used for domestic plumbing, industrial applications, agricultural requirements, generally with every non aggressive fluid.

ADVANTAGES:

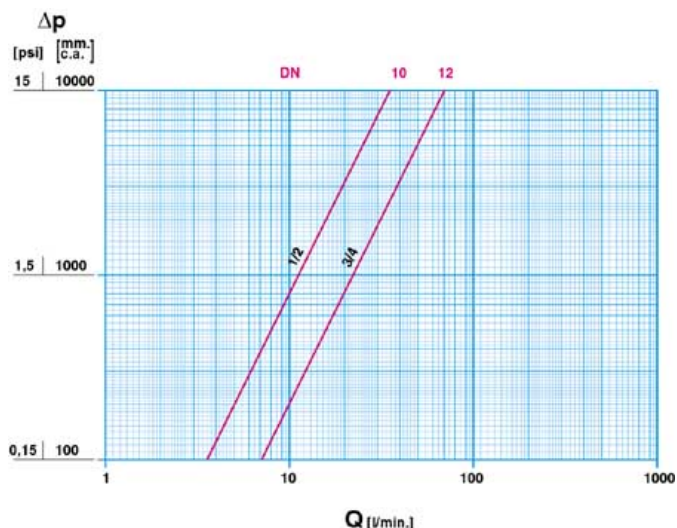
Exceptional wear resistance superior to the traditional bib cock; completely leak proof under any normal working condition. The angle through design offers little resistance to flow and reduces pressure drop to a minimum.

CROSS SECTION



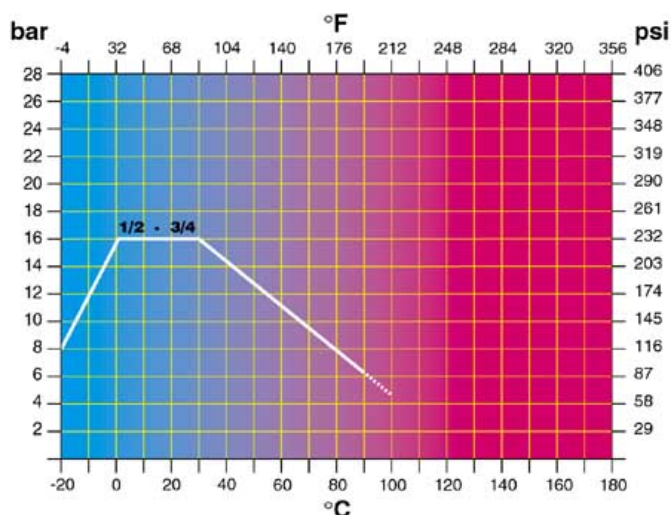
NUT :	SELF LOCKING TYPE
HANDLE :	CAST BRASS
STEM :	MACHINED FROM DRAWN BRASS BAR EN12164 CW 614N
STEM RING :	MACHINED FROM DRAWN BRASS BAR EN12164 CW 614N
O-RING :	NBR
EXTENSION :	HOT FORGED BRASS EN12165 CW 617N
BALL GASKETS :	P.T.F.E.
BALL :	MACHINED FROM DRAWN BRASS BAR EN12164 CW 614N
BODY :	HOT FORGED BRASS EN12165 CW 617N
RING :	MACHINED FROM DRAWN BRASS BAR EN12164 CW 614N
HOSE UNION :	MACHINED FROM DRAWN BRASS BAR EN12164 CW 614N
WASHER :	RUBBER
STREAM CUT :	NYLON 6/6

FLOW AND PRESSURE DROP



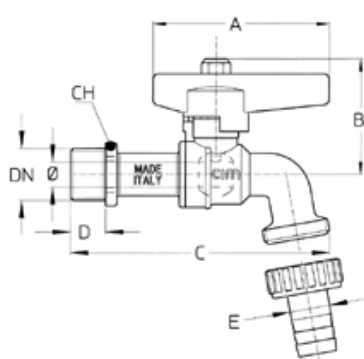
Flow and pressure drop
 1 l/min = 0,06 m³/h
 1 m³/h = 16,67 l/min

PRESSURE TEMPERATURE RATINGS



Pressure / temperature ratings
 1 bar = 14,5 p.s.i.
 $^{\circ}\text{C} = 5/9 (^{\circ}\text{F} - 32)$
 $^{\circ}\text{F} = 32 + 9/5 ^{\circ}\text{C}$

TECHNICAL DRAWING



	1/2	3/4
DN	10	12
Ø mm.	10	12
Grms.	285	375
A	70	70
B	52	53
C	103	112,5
D	14	16
E	16	22
CH	23	28,5

Connection:
ISO 228

On request:
ANSI B.1.20.1 (NPT)

TECHNICAL CHARACTERISTICS

	KV	CM	CS	MT
DN		1/2		3/4
Ø mm.		10		12
KV		2		4,3
CM		1		1
CS		2		2
MT		10		10

KV = Capacity in m³/h at pressure drop of 1 bar

CM = Working torque in Nm.

CS = Starting torque in Nm.

MT = Maximum torque on the stem in Nm.

