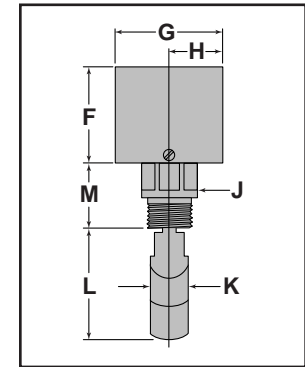
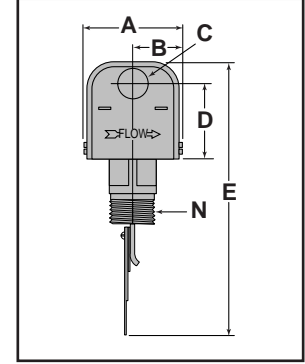


Flow Switches – Liquid

Series FS4-3    (for specified models)
General Purpose Liquid Flow Switches



- Universal design serves the widest variety of applications
- For starting or stopping electrically operated equipment such as signal lights, alarms, motors, automatic burners, metering devices and others
- Replacement for common flow switches from Johnson/Penn, Potter/Taco, Watts, Hydrolevel and other manufacturers
- 1" NPT
- Two electrical knock-outs allows connection from either end
- Sensitivity adjusting screw makes flow adjustment easy
- Single pole, double throw snap switch
- Hardened stainless steel bearings minimize friction
- Sealed Monel bellows
- Four stainless steel paddles included - 1", 2", 3" & 6" (25, 50, 80, & 150mm)
- Optional features
 - Time delay (5 or 20 seconds)
 - Two SPDT switches to make or break two separate circuits
 - Reinforced paddles
 - Materials of construction suitable for corrosive liquids
 - Fire sprinkler service - Model FS4-3F only
 - BSPT threads
- Minimum temperature (fluid or ambient) 32°F (0°C)
- Maximum temperature 300°F (149°C)
- Maximum pressure 160 psi (11.3 kg/cm²)



Electrical Ratings

Voltage	Motor Switch Rating (Amperes)		Pilot Duty
	Full Load	Locked Rotor	
120 VAC	7.4	44.4	125 VA at 120 or 240 VAC 50 or 60 cycles
240 VAC	3.7	22.2	

Dimensions, in. (mm)

A	B	C	D	E	F	G
3 (76)	1½ (38)	7⁄8 (22)	27⁄32 (56)	87⁄16 (211)	215⁄16 (75)	33⁄8 (86)

H	J	K	L	M	N NPT
111⁄16 (43)	17⁄16 (37)	11⁄8 (29)	37⁄16 (87)	21⁄16 (52)	1

FLOW SWITCHES

Flow Switches – Liquid

260150A 2/3

Series FS4-3 (continued) General Purpose Liquid Flow Switches



Flow Rates

Pipe Size NPT in.	Settings	Mode of Operation		Max. Flow Rate gpm (lpm) w/o Paddle Damage
		Flow gpm (lpm)	No Flow gpm (lpm)	
1	Factory or Minimum	6 (22.7)	3.6 (13.6)	27 (102.2)
	Maximum	10.2 (38.6)	9.2 (34.8)	
1¼	Factory or Minimum	9.8 (37.1)	5.6 (21.2)	47 (177.9)
	Maximum	16.8 (63.6)	15 (56.8)	
1½	Factory or Minimum	12.7 (48.1)	7 (26.5)	63 (238.5)
	Maximum	23 (87.1)	19.5 (73.8)	
2	Factory or Minimum	18.8 (71.2)	9.4 (35.6)	105 (397.4)
	Maximum	32.8 (124.1)	24 (90.8)	
2½	Factory or Minimum	24.3 (92)	11.6 (43.9)	149 (564)
	Maximum	42.4 (160.5)	37.5 (141.9)	
3	Factory or Minimum	30 (113.6)	12 (45.4)	230 (870.6)
	Maximum	52.1 (197.2)	46.1 (174.5)	
4	Factory or Minimum	39.7 (150.3)	19.8 (74.9)	397 (1502.7)
	Maximum	73.5 (278.2)	64.2 (242)	
5	Factory or Minimum	58.7 (222.2)	29.3 (110.9)	654 (2415.4)
	Maximum	115 (435.3)	92 (348.2)	
6	Factory or Minimum	79.2 (300)	39.6 (150)	900 (3406.5)
	Maximum	166 (628.3)	123 (465.6)	

Values are ± 10%

NOTE: DO NOT USE LIQUID FLOW SWITCHES ON SYSTEMS WITH FLOW GREATER THAN 10 FEET (3M) PER SECOND.

Ordering Information

Model Number	Part Number	Description	Weight lbs. (kg)
FS4-3	114400	General purpose flow switch	1.9 (0.9)
FS4-3J	114610	FS4-3 w/BSPT connections	1.9 (0.9)
FS4-3-RP	114650	FS4-3 w/alt. paddle kit	1.9 (0.9)
FS4-3Z	114410	FS4-3 w/ANSI terminal connections	1.9 (0.86)
FS4-3A	114450	FS4-3 w/tamper-proof cover screws	2.0 (0.9)
FS4-3C	114451	FS4-3 w/trimmed paddles	1.9 (0.9)
FS4-3D	114550	FS4-3 w/2 SPDT switches	2.3 (1.0)
FS4-3S	114641	FS4-3 w/SS body, monel bellows	1.9 (0.9)
FS4-3SJ	176216	FS4-3S w/BSPT connections	1.9 (0.9)
FS4-3DS	114642	FS4-3S w/2 SPDT switches	3.3 (1.5)
FS4-3-5R	114405	FS4-3 w/5 second DOB	2.3 (1.0)
FS4-3-20	114425	FS4-3 w/20 second DOM	2.3 (1.0)
FS4-3J-E	114611	FS4-3J-CE conformance rated	1.9 (0.9)
FS4-3D-E	114552	FS4-3D-CE conformance rated	1.9 (0.9)
FS4-3S-E	114646	FS4-3S-CE conformance rated	1.9 (0.9)

See page 157 for CE Conformance information

For Model FS4-3F & FS4-3DF

NPT Pipe Size In.	Paddle to use Length	TEE Size
1"	1 ^{11/32} " as furnished (only)	1" x 1" x 1" NPT Tee
1¼"	Trim 1½" pipe size paddle with template	1¼" x 1¼" x 1" NPT Tee (Paddle must be bowed for insertion into 1¼" tee)
1½"	2 ^{1/16} " as furnished (only)	1½" x 1½" x 1" NPT Tee (Paddle must be bowed for insertion into 1½" tee)

Ordering Information

Model Number	Part Number	Description	Weight lbs. (kg)
FS4-3F	114625	FS4-3 for fire sprinkler service	1.9 (0.9)
FS4-3FCAN	114626	FS4-3 for fire sprinkler service (Canada)	2.3 (1.0)
FS4-3F-20	114635	FS4-3F w/20 second DOM	2.3 (1.0)
FS4-3DF	114555	FS4-3F w/2 SPDT switches	2.3 (1.0)
FS4-3DF-20	114640	FS4-3F w/20 second DOM, 2 SPDT switches	3.3 (1.50)

NOTE: ONLY LISTED PIPE SIZES MEET UL REQUIREMENTS FOR FIRE SPRINKLER SYSTEMS.

FLOW SWITCHES

Flow Switches – Liquid

260150A 3/3

Series FS4-3 General Purpose Liquid Flow Switches



Components

For Model	Item Number	Part Number	Model Number	Description	Weight lbs. (kg)
All models (except those below)	1	336800	FS4-15	Monel paddle kit	0.1 (.05)
	2	310451	FS4-15SS	Stainless steel paddle kit	0.1 (.05)
	3	305200	FS4-33	SPDT switch	0.3 (.14)
FS4-3RP	4	336101	FS4-15RP	Monel paddle kit	0.08 (.36)
FS4-3F	5	336801	FS4-15F	Paddle kit	0.1 (.05)
FS4-3D	6	305512	FS4-3D-17	SPDT switch	0.3 (.14)
	7	304300	FS1-17	SPDT switch (next to adjustment screw)	0.3 (.14)

Note: Paddle kits include screws and washers.

