



Cert. No. LRQ 0963008

ISO 9001

**spirax**  
**sarco**

**Single Window  
and Double Window  
Sight Glasses**

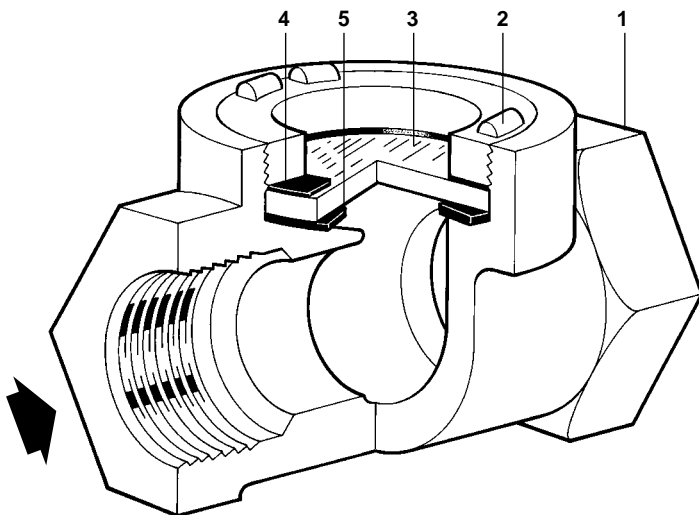
TI-P022-05 / 4041xxA 1/2

ST Issue 3

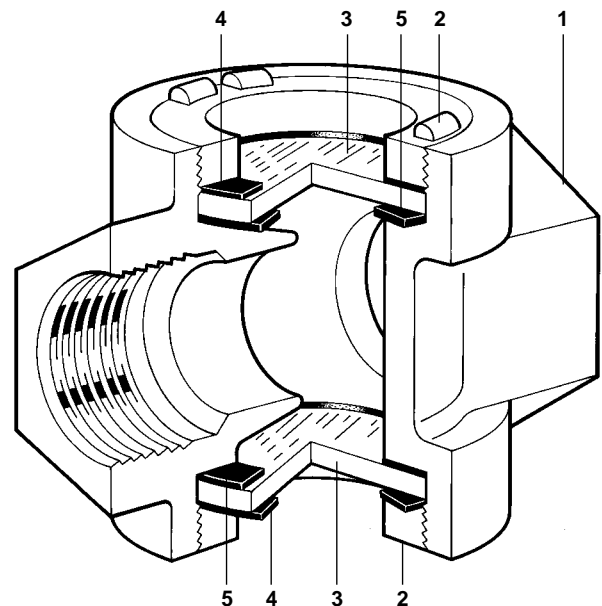


ΧΡΥΣΑΦΙΔΗΣ Α.Ε.

Single window



Double window



**Description**

A range of single and double window sight glasses available in either brass or bronze depending on size with screwed connections.

**Sizes and pipe connections**

**Single window** 3/8", 1/2", 3/4" and 1" screwed BSP or NPT.

**Double window** 1/2", 3/4", 1", 1 1/4", 1 1/2" and 2" screwed BSP or NPT.

**Material**

No.	Part	Material	
1	Body	1/2" to 1"	Brass EN 12165 CW617N
		1 1/4" to 2"	Bronze BS EN CC491K
2	Bezel	Brass	BS 1400 PCB1
3	Window	Toughened soda lime glass	BS 3463
4	Top gasket	Reinforced exfoliated graphite	
5	Bottom gasket	Reinforced exfoliated graphite	

**Certification**

These products are available with certification to EN 10204 2.2. **Note:** All certification/inspection requirements must be stated at the time of order placement.

**Limiting conditions**

Body design conditions

PMA - Maximum allowable pressure 5 bar g

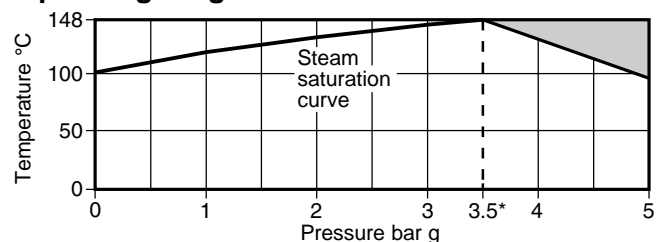
TMA - Maximum allowable temperature 148°C

PMO - Maximum operating pressure 3.5 bar g

TMO - Maximum operating temperature 148°C

Designed for a maximum cold hydraulic test pressure of 7 bar g

**Operating range**

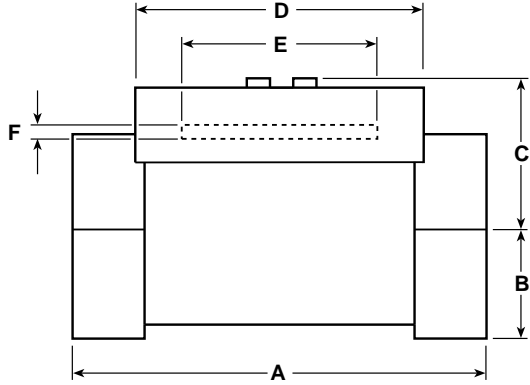


■ The product must not be used in this region.

\* PMO - Maximum operating pressure for steam service.

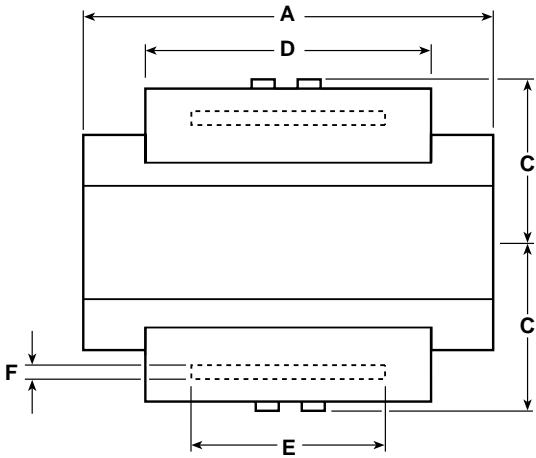
**Dimensions / weights (approximate) in mm and kg**  
**Single window**

Size	A	B	C	D	E	F	Weight
3/8"	89	16	32	64	50	4.8	0.6
1/2"	89	16	32	64	50	4.8	0.6
3/4"	89	19	35	64	50	4.8	0.7
1"	87.5	24	38	64	50	4.8	0.9



**Double window**

Size	A	B	C	D	E	F	Weight
1/2"	89	-	32	64	50	4.8	0.9
3/4"	89	-	32	64	50	4.8	0.9
1"	89	-	35	64	50	4.8	1.2
1 1/4"	108	-	51	73	50	4.8	1.9
1 1/2"	108	-	51	73	50	4.8	1.8
2"	114	-	57	76	50	4.8	2.5



**Safety information, installation and maintenance**

For full details see the Installation and Maintenance Instructions (IM-S32-04) supplied with the product.

Sight glasses should have stop valves fitted on both the inlet and outlet. It is imperative that the upstream stop valve is closed first in order to prevent overpressurisation.

Sight glasses can be fitted in either a horizontal or vertical line on the outlet side of a steam trap. Where the trap is a blast discharge type e.g. thermodynamic, the sight glass and sight check must be fitted at least 1 m from the trap. This is to ensure that the glass is not subjected to thermal shock or pressure. Reasonable steps should be taken to protect personnel from injury in the unlikely event that the glass breaks.

Ensure access is available for maintenance purposes.

**Warning:**

The top gasket and bottom gasket contains a thin stainless steel support ring which may cause physical injury if it is not handled and disposed of carefully.

**How to order**

**Example:** 1 off Spirax Sarco 1" BSP double window sight glass with brass body and removable toughened soda lime glass.

**Spare parts**

The spare parts available are shown in heavy outline. Parts drawn in broken line are not supplied as spares.

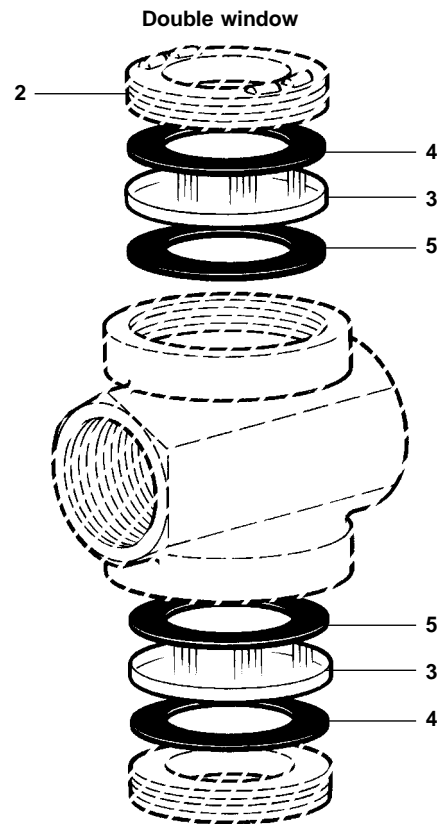
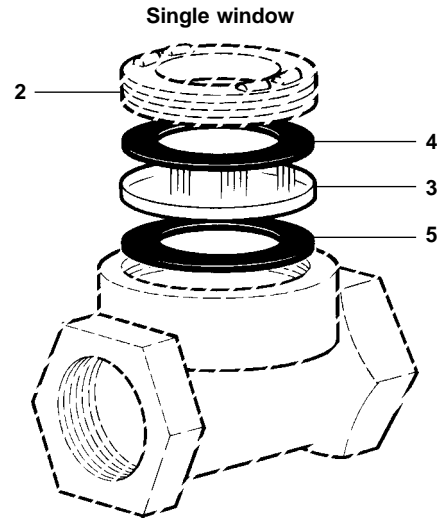
**Available spares**

Set of windows and gaskets	<b>3, 4, 5</b>
Set of gaskets	<b>4, 5</b>

**How to order spares**

Always order spares by using the description given in the column headed 'Available spares' and state the size and type of sight glass.

**Example:** 1 - Set of windows and gaskets for a 1" Spirax Sarco double window sight glass.



**Recommended tightening torque**

Item No.	Part	or mm	N m
2	Bezel	or	60 - 65