

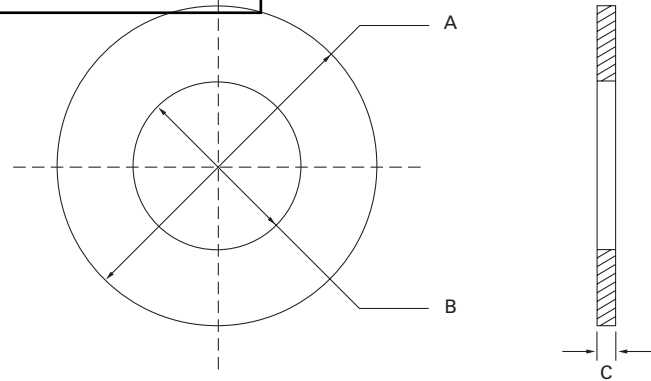


ΠΑΡΕΜΒΥΣΜΑΤΑ
ΦΛΑΝΤΖΩΝ

4651xxA 1/1



FIG. 71 DIN/ANSI



Tyco BSP Article Number	Mating Flange	Nominal Size mm Inches	Pipe OD mm	Dimensions		
				A mm	B mm	C mm
INS060M	ANSI 150LB	50 2	60.3	100	57	3.3
INS073M	ANSI 150LB	65 2 1/2	73.0	119	70	3.3
INS089M	ANSI 150LB	80 3	88.9	132	86	3.3
INS114M	ANSI 150LB	100 4	114.3	170	111	3.3
INS141M	ANSI 150LB	125 5	141.3	192	137	3.3
INS168M	ANSI 150LB	150 6	168.3	217	164	3.3
INS219M	ANSI 150LB	200 8	219.1	275	214	3.3
INS273M	ANSI 150LB	250 10	273.0	335	267	3.3
INS324M	ANSI 150LB	300 12	323.9	405	318	3.3

Tyco BSP Article Number	Mating Flange	Nominal Size mm Inches	Pipe OD mm	Dimensions		
				A mm	B mm	C mm
INSDIN060M	DIN PN16	50 2	60.3	100	57	3.3
INSDIN076M	DIN PN16	65 2 1/2	76.1	124	73	3.3
INSDIN089M	DIN PN16	80 3	88.9	139	86	3.3
INSDIN114M	DIN PN16	100 4	114.3	159	111	3.3
INSDIN139M	DIN PN16	125 5	139.7	189	135	3.3
INSDIN165M	DIN PN16	150 6	165.1	215	161	3.3
INSDIN168M	DIN PN16	150 6	168.3	217	164	3.3
INSDIN219M	DIN PN16	200 8	219.1	270	214	3.3
INSDIN273M	DIN PN16	250 10	273.0	326	267	3.3
INSDIN324M	DIN PN16	300 12	323.9	381	318	3.3

Plate material: stainless steel ASTM A666 Type 304-2B

TYCENMECH-7/04 Tyco reserves the right to change the contents without notice