

ΦΙΛΤΡΟ ΠΕΠΙΕΣΜΕΝΟΥ ΑΕΡΑ



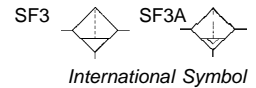
Certificate No. FM163

ISO 9001

spirax sarco

TI-P050-03 / 40801xA 1/2

CH Issue 2



Spirax-Monnier SF3 Standard Compressed Air Filter

Spirax-Monnier Filters provide high quality compressed air (free from liquid and solid contaminants) for general purpose pneumatic applications.

Types:- SF3 - with Manual Drain
SF3A - with Automatic Drain

Sizes:- 3/4", 1" and 1 1/2"

Connections:- Screwed BSP (BS 21 - Rp.)

- Long life 25 micron sintered plastic element.
- Efficient liquid separation over wide air flow range.
- In built Autodrain.
- or quick twist Manual Drain.
- Metal bowl, with option of sight level
- Black epoxy finish - internal and external.

Operating limits

	Max. Pressure	Max Temperature
Manual Drain	17 bar	70°C
Autodrain	17 bar	80°C
Sight Level	17 bar	70°C

Materials

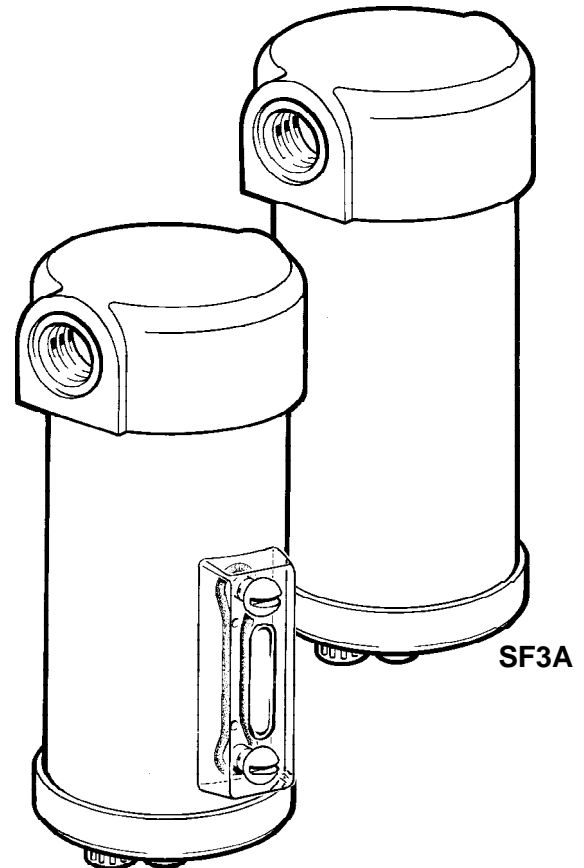
Head	Aluminium - Epoxy coated
Bowl	Aluminium - Epoxy coated
Element	Porous Plastic
Autodrain	Plastics

How to order.

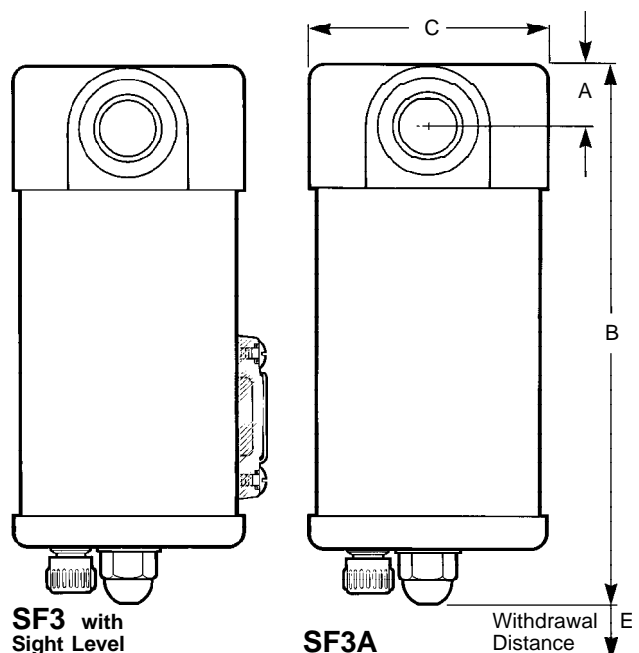
Example - Please state quantity, size (3/4", 1" or 1 1/2") Spirax Monnier Auto filter SF3A (or SF3 Manual Drain Filter.) Specify if Sight Level is required.

Dimensions (approximate) in millimetres

Size	A	B	C	E	Weight
3/4" & 1"	25	225	96	90	1.6kg
1 1/2"	31	285	102	90	2.0kg



SF3
(with optional Sight Level)



SF3 with Sight Level

SF3A

Withdrawal Distance



Local regulations may restrict the use of this product to below the conditions quoted.
In the interests of development and improvement of the product, we reserve the right to change the specification.

© Copyright 1995

How to Fit

Fit in horizontal pipeline with the bowl vertically downwards, and as close as possible to the equipment it is serving. Connect units so that the air flows in the direction shown by the arrow.
Should it be necessary to reposition the Sight Level (if fitted): Ensure that there is no air pressure in the system. Slacken off the Bowl Retaining Nut (9), carefully rotate the bowl assembly to the required position, and re-tighten the Nut (9) to 25Nm.

How does it Work

Filter.

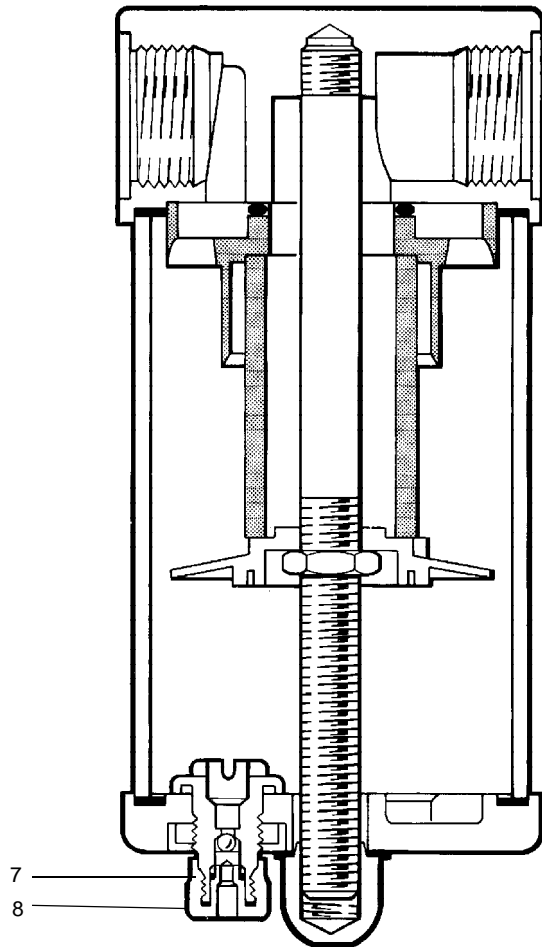
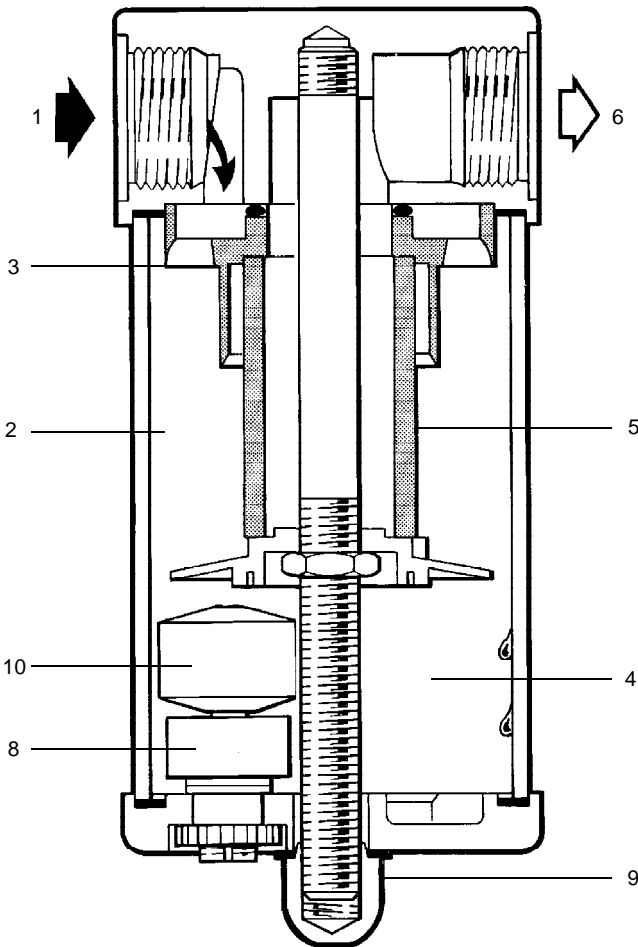
The Spirax Monnier SF3 and SF3A Filters combine the advantages of a centrifugal separator and a line filter. Contaminated compressed air (1) is directed on to the inside of the Bowl (2) by the special whirl disc (3). This preliminary separation allows most of the liquids and the larger solid particles to pass down into the sump (4) away from any turbulence. The air is then filtered by the 25 micron element (5) before passing into the system (6). Ensure that the bowl is regularly drained by either the Manual Drain (7) (SF3) or by the Autodrain (8) (SF3A).

Autodrain

Liquids collect in the turbulence free area at the bottom of the bowl. As the liquid rises, the float (10) lifts. System pressure passes through a pilot valve, and then, acting on a piston, opens the main valve. As the liquid is discharged under line pressure, the float falls. The pilot valve closes, and line pressure rapidly shuts the main valve.

Manual Drain

To open, twist the Cap (8) Anticlockwise approximately 180°.



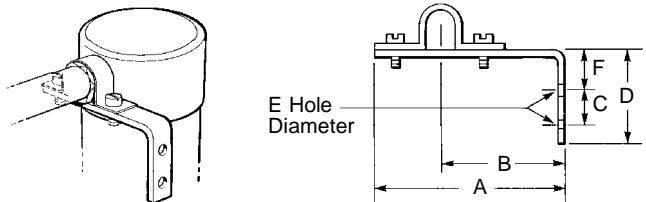
Optional extras

Type 3 Mounting bracket ¾", 1" only.

This is a zinc plated, mild steel angle bracket which can be attached to any flat surface by means of screws or bolts

Dimensions (approximate) in millimetres

A	B	C	D	E	F
96	62	22.2	41	5	12.7



Discharge tube adaptor

An adaptor can be supplied for the Auto Drain of the SF3A models, to accept 8mm O/D copper or plastic tube, so that the condensate can be piped away.

