

FORGED STEEL VALVES

Flanged End Globe Valve 150Lb~600Lb

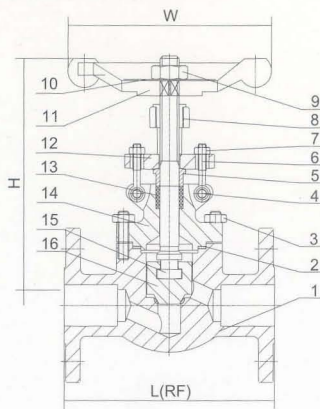


FIG NO: RF: 620146
BW: 620166

Standard Material Specifications

NO.	Part Name	CS To ASTM	AS To ASTM	SS To ASTM	
		Type A105	Type LF2	Type F304(L)	Type F316(L)
1	Body	A105	A182 LF2	A182 F304(L)	A182 F316(L)
2	Gasket	Corrugated SS+graphite		SS+PTFE	
3	Bonnet Bolt	A193 B7	A193 B16	A193 B8	A193 B8M
4	Pin	A276 420		A276 304	
5	Gland	A276 410		A182 F304(L)	A182 F316(L)
6	Gland Eyebolt	A193 B7	A193 B16	A193 B8	A193 B8M
7	Gland Nut	A194 2H	A194 4	A194 8	A194 8M
8	Yoke Nut	A276 410			
9	H.W.Nut	A194 2H	A194 4	A194 8	A194 8M
10	Nameplate	SS			
11	Handwheel	A197			
12	Gland Flange	A216 WCB		A351 CF8	
13	Stem Packing	Flexible Graphite		PTFE	
14	Bonnet	A105	A276 304	A182 F304(L)	A182 F316(L)
15	Stem	A182 F6	A182 F304	A182 F304(L)	A182 F316(L)
16	Disc	A276 420	A276 304	A276 304(L)	A276 316(L)
Suitable Medium		W.O.G.etc	W.O.G.etc	HNO ₃ ,CH ₃ OOH etc	
Suitable Temperature		-29°C~425°C	-29°C~550°C	-29°C~180°C	

Note: Other materials are available upon request.

CS=Carbon Steel;AS=Alloy Steel;SS=Stainless Steel;

Dimensions(mm) and Weights(Kg)

		NPS	1/2"	3/4"	1"	1 1/4"	1 1/2"	2"
L(RF)	150	150	108	117	127	140	165	203
	300	300	152	178	203	216	229	267
L1 (BW)	600	600	165	190	216	229	241	292
	150,300	150,300	166	171	207	240	258	330
H(OPEN)	600	600	171	207	240	258	330	380
	W	W	100	100	125	160	160	180
Weights	150	RF	4.5	6.9	9.8	13.5	19.5	28.0
		BW	2.3	3.6	7.8	8.2	12.0	15.0
	300	RF	4.8	7.7	11.0	16.8	21.2	32.6
		BW	2.8	4.0	8.5	9.2	12.6	16.8
	600	RF	5.6	7.8	12.5	17.0	23.5	38.8
		BW	3.4	4.7	9.2	10.5	13.3	18.9

**DESIGN AND MANUFACTURE:**

API 602, API 606, BS 5352, BS 6364, AND ASME B 16.34

TEST PRESSURE TO:

API 598 AND MARKING IS PER MSS SP-25

SOCKET WELD ENDS TO:

ASME B 16.11

SCREWED ENDS (NPT) TO:

ANSI/ASME B 1.20.1

**CONSTRUCTION IS AS FOLLOWS:**

- * FULL PORT OR CONVENTIONAL PORT
- * OUTSIDE SCREW AND YOKE (OS&Y)
- * TWO PIECE SELF ALIGNING PACKING GLAND
- * INTEGRAL BACKSEAT
- * BOLTED BONNET WITH SPIRAL-WOUND GASKET, THREADED AND -
- SEAL WELDED BONNET OR THREADED AND PRESSURE SEAL BONNET

ABOUT FORGED STEEL VALVES

Fluval valves are available in three bonnet designs. The first design is the Bolted Bonnet, with male-female joint, spiral wound gasket, made in F304L/graphite. Ring joint gasket are also available on request. The second design is the welded bonnet, with a threaded and seal welded joint. On request a full penetration strength welded joint is available. The third design is the pressure seal bonnet, with a threaded and pressure seal bonnet joint.