

## Swing-Away Back Pressure Check Valves for Container or Line Applications



### 6586D and A6586D

#### Application

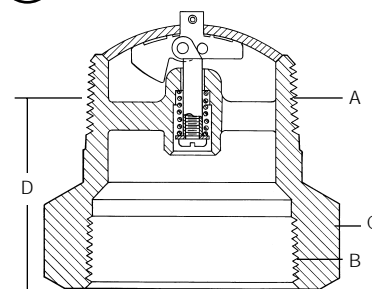
Designed to provide protection of a container opening when desired flow is always into the vessel. May also be used in the line applications where flow must be limited to one direction.

When used with the appropriate single check filler valve, the combination forms a double check filler valve suitable for use in filling of bulk storage tanks.

The swing-away check offers more efficient flow rates than conventional designs. It swivels open vertically to reduce pressure drop across the valve and improves flow rates.

#### Materials

Body (6586D) .....	Brass
(A6586D) .....	Steel
Disc (6586D) .....	Brass
(A6586D) .....	Stainless Steel
Stem Assembly .....	Stainless Steel
Spring .....	Stainless Steel
Screw .....	Stainless Steel



#### Features

- Swing-away check design offers faster flow rates.
- Heavy-duty construction for long service life.

#### Ordering Information

Part Number		A Inlet Connection F. NPT	B Outlet Connection M. NPT	C Wrench Hex Flats	D Effective Length (Approx.)	Propane Liquid Capacity at Various Differential Pressures (GPM)			
						5 PSIG	10 PSIG	25 PSIG	50 PSIG
6586D	A6586D	2"	2"	2 7/8"	2 7/16"	190	270	420	600

NOTE: Multiply flow rate by .94 to determine liquid butane capacity.

## Back Pressure Check Valves for Flanged Installation

### A3400L4 and A3400L6

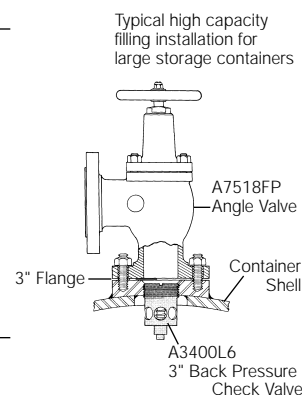
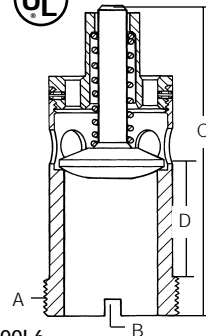
#### Application

Designed to provide high flow capacity and allow more efficient tank filling than conventional designs. The unobstructed throat area reduces flow turbulence through the valve, thereby reducing pressure drop. Large flow channels and spacious side ports assure ample capacity for the most demanding high capacity filling operations.

The valve is designed for installation in internally threaded flanges in container bottoms.

#### Materials

Body .....	Cadmium Plated Steel
Stem .....	Stainless Steel
Spring .....	Stainless Steel
Disc .....	Cadmium Plated Steel
Guide .....	Stainless Steel
Roll Pin .....	Stainless Steel



#### Features

- Speeds up filling operations in bulk tanks.
- All steel and stainless steel construction assures long service life.

#### Ordering Information

Part Number	A Flange Connection M. NPT	B Wrench Hex Flats	C Overall Length	D Threaded End To Port	Propane Liquid Capacity at Various Differential Pressures (GPM)			
					5 PSIG	10 PSIG	25 PSIG	50 PSIG
A3400L4	2"	Slotted	5 1/4"	1 5/16"	223	316	500	707
A3400L6	3"		5 5/2"	1 1/16"	424	600	949	1342

NOTE: For installation in flange tank connections with internal threads, see the "Flanged Installation in Container" section under "Excess Flow Valves." Multiply flow rate by .94 to determine liquid butane capacity and by .90 for liquid anhydrous ammonia capacity.