



## 4" Flanged Internal Valves for Transports and Large Stationary Storage Tanks

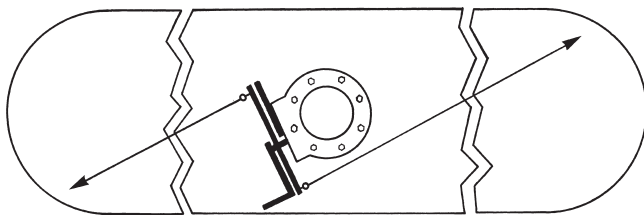
### A3219FPA Pneumatic Actuator

The A3219FPA Pneumatic Actuator is designed especially for use with the A3219F600L 4" Flanged Internal Valves. The diaphragm type A3219FPA provides a convenient means of opening and closing the valve from a remote location, using either air or nitrogen, on LP-Gas and NH<sub>3</sub> transport trailers and stationary tanks.

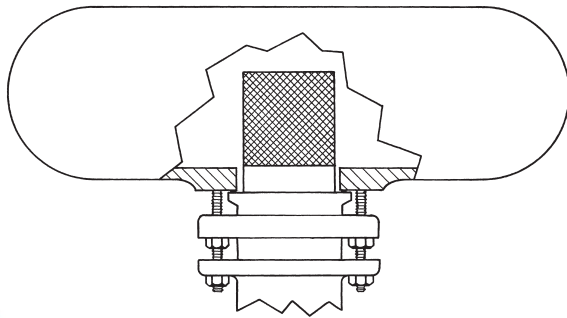
#### Features

- Diaphragm type—no seals to leak.
- Easily installed on internal valve "in-line,"
- Utilizes standard brake actuator with time proven performance in heavy-duty truck/trailer applications.
- Compatible with existing air interlock systems.
- Operate with pressures of 50-150 psig.
- Thermal Fuse installed on actuator complies with DOT thermal protection requirements.

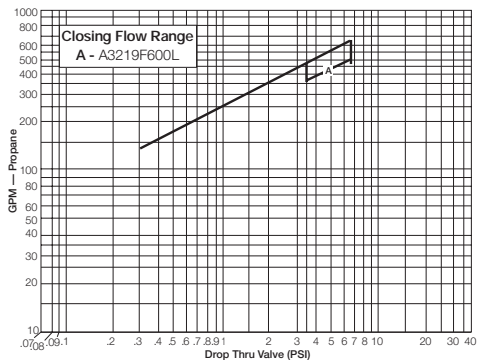
Typical Valve Positioning



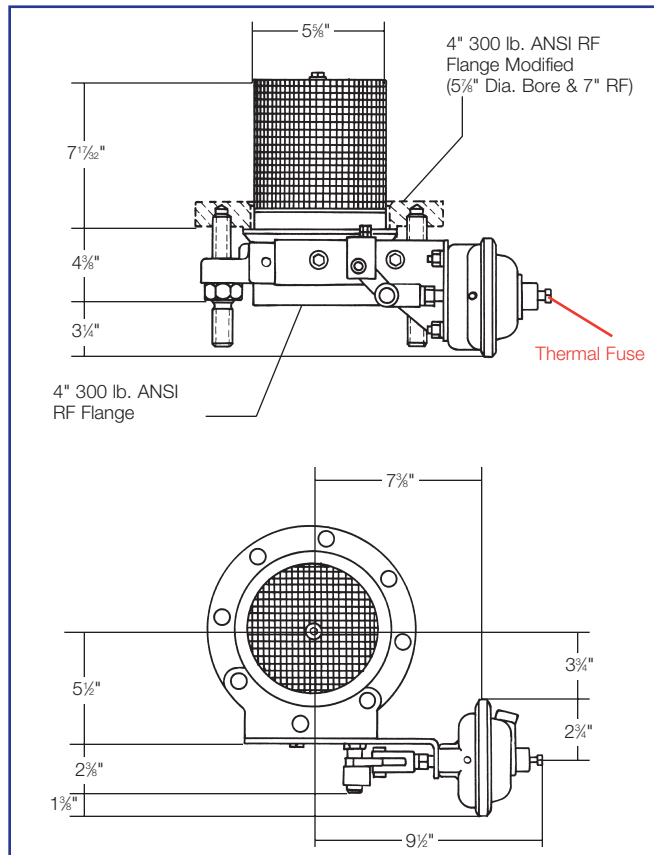
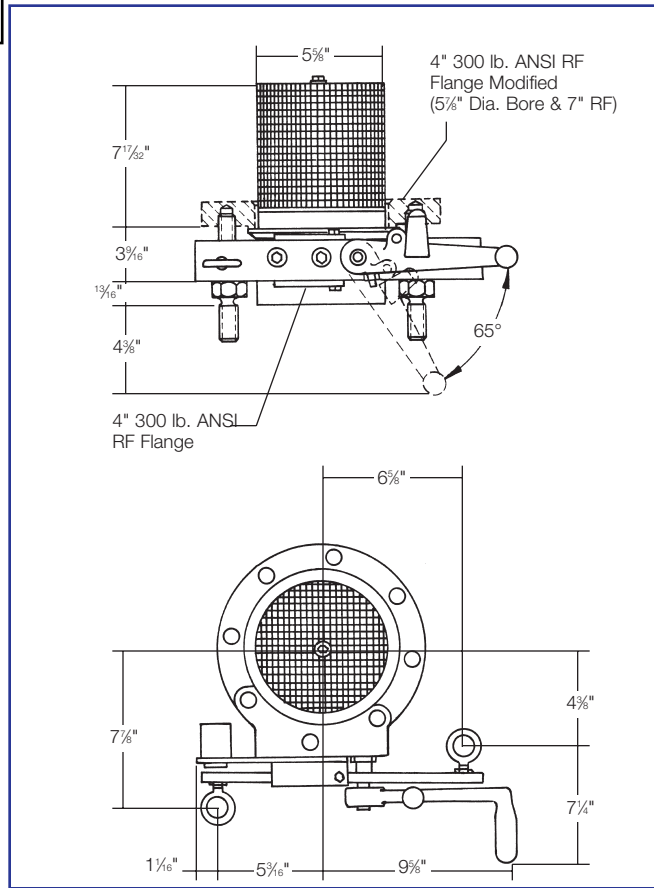
Typical Valve Installation



CHRYSSAFIDIS



NOTE: Multiply flow rate by .94 to determine liquid butane flow and by .90 to determine liquid anhydrous ammonia flow.

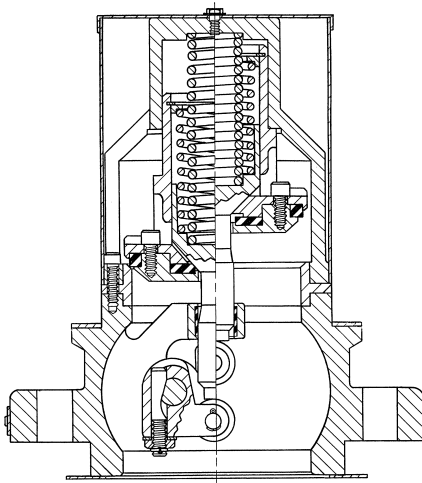


100 RegO Drive PO Box 247 Elon, NC 27244 USA  
Phone (336) 449-7707 Fax (336) 449-6594 www.regoproducts.com

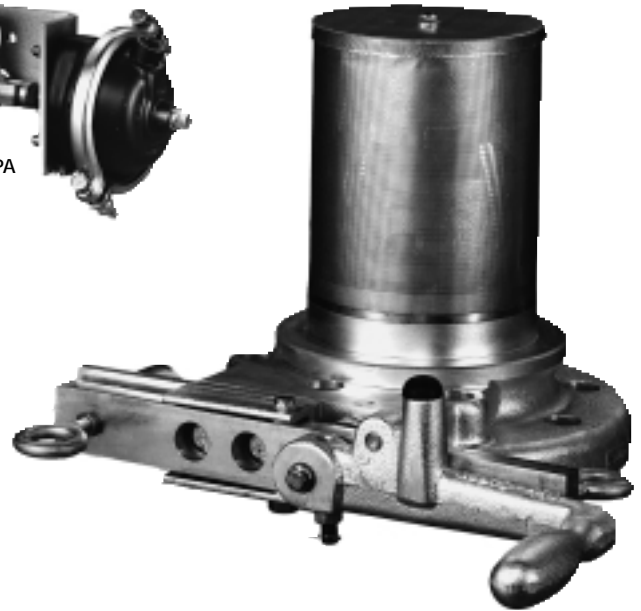
Engineered Controls International, Inc.

# 4" Flanged Internal Valve for Transports and Large Stationary Storage Tanks

A3219 Series



A3219FPA



### Application

Designed primarily for LP-Gas and anhydrous ammonia service on MC331 transport pressure vessels and large stationary storage tanks. Installation is quick and easy, and it fits in most existing tank flanges. The valve may be actuated manually or pneumatically.

Use of the A3219RT Remote Thermal Release with this valve is suggested to provide a remote means of mechanical closure along with thermal protection, as required by DOT MC331.

### Features

#### Provides More Efficient Operation

- Flow passages designed to allow higher pumping rates without cavitation or loss of efficiency--saves time and money.
- One piece, stainless steel pilot valve provides more accurate alignment for dependable operation.
- Remote release lever allows cables to run directly to opposite ends of vessel without pulleys or tubing.

#### Protects Your Pump

- Main disc retaining screws are installed from the top down to help minimize loose screws from entering and damaging the pump.
- Back-up cotter pin is designed to minimize the chance of a loosened actuator nut and washer from entering and damaging the pump.

#### Less Frequent-Easier Maintenance

- Easily replaceable chrome plated seat insert eliminates need for expensive remachining of valve body when overhauled.
- Stainless steel screws resist rusting and are easily removed during valve disassembly.
- Strainer completely covers the top of the valve to help keep out sediment and foreign material.
- Strainer seats at the top flange of the valve's seat insert, making removal of the valve easier.

### Durable Construction

- Cadmium plating helps resist corrosion during storage and use.
- Taper pin lock secures the operating shaft to provide for more precise, trouble-free actuation.
- Built-in excess flow valve and thermal protection.
- Specify RegO® Internal Valves on your next new tank body or rebuild.

### Materials

Body and Valve Cage .....	Cadmium Plated Ductile Iron
Handle .....	Cadmium Plated Ductile Iron
Seat .....	Nickel Chrome Plated Steel
Strainer .....	Stainless Steel
Stem .....	Stainless Steel
Pilot Valve Plug .....	Stainless Steel
Springs .....	Stainless Steel
Roller Actuator .....	Cadmium Plated Carbon Steel
Lever Assembly .....	Cadmium Plated Carbon Steel
Seat Disc .....	Resilient Synthetic Rubber

### Ordering Information

Part Number*	Inlet Connection	Outlet Connection	Closing Flow GPM		Accessories	
			LP-Gas	NH <sub>3</sub>	Pneumatic Actuator	Remote Thermal Release
A3219F600L	4" 300# ANSI RF Modified Flange**	4" 300# ANSI RF Flange	600	544	A3219FPA	A3219RT (2)

\* Valve supplied with 16 nuts and 8 studs for mounting.  
 \*\* Modified bore = 5 1/4" diameter with 7" diameter raised face.

