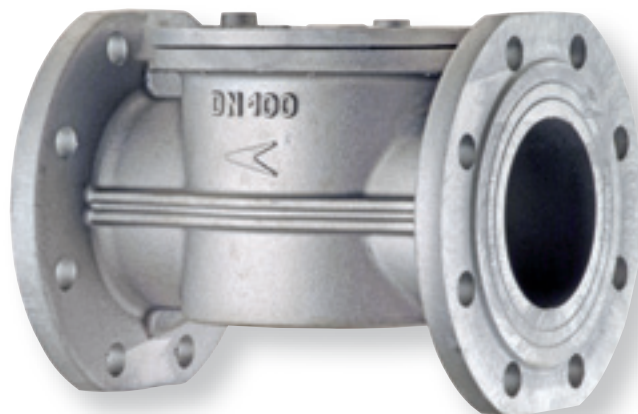


## GAS FILTER DN65 – DN80 – DN100 – Pmax 6 bar

### ΦΙΛΤΡΑ ΑΕΡΙΟΥ



Code	Description	Dimension	Pmax
GFD65	Gas filter	DN65	6 bar
GFD80	Gas filter	DN80	6 bar
GFD100	Gas filter	DN100	6 bar

GFD65-TPIO	Gas filter with test point in/out	DN65	6 bar
GFD80-TPIO	Gas filter with test point in/out	DN80	6 bar
GFD100-TPIO	Gas filter with test point in/out	DN100	6 bar

GFD65-SP	Gas filter with screw plugs	DN65	6 bar
GFD80-SP	Gas filter with screw plugs	DN80	6 bar
GFD100-SP	Gas filter with screw plugs	DN100	6 bar

#### TECHNICAL FEATURES

**Operation maximum pressure** 6 bar

**Working Temperature** - 20 °C – + 60 °C

**Filtration** 50 Micron

**Use** Non – aggressive gases – Family 1 – 2 – 3 and air

**Cartridge element** Viledon cartridge

**Connection** Flanged PN16 – DN65 – DN80 – DN100

**Complete Body** Die – Cast Aluminium Gd – AISI12Cu - EN AB 46100

**Seals** NBR

**Approval** PED

#### Optional:

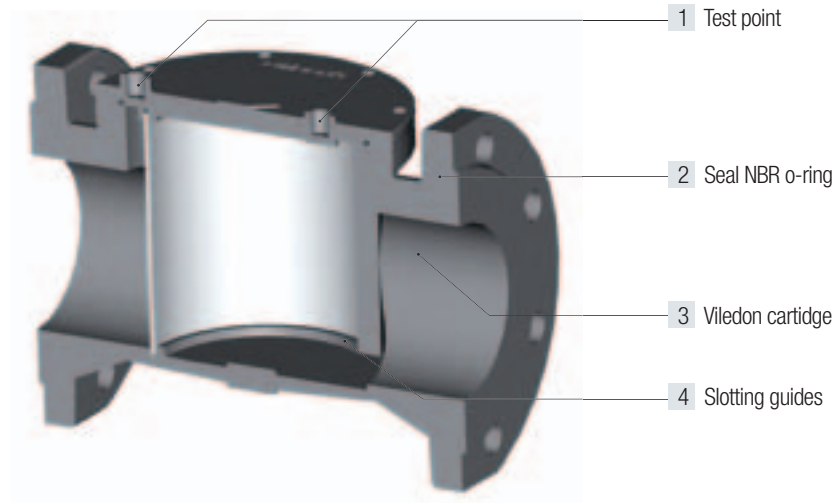
- Test point – NPT ¼"

- Screw – NPT ¼"

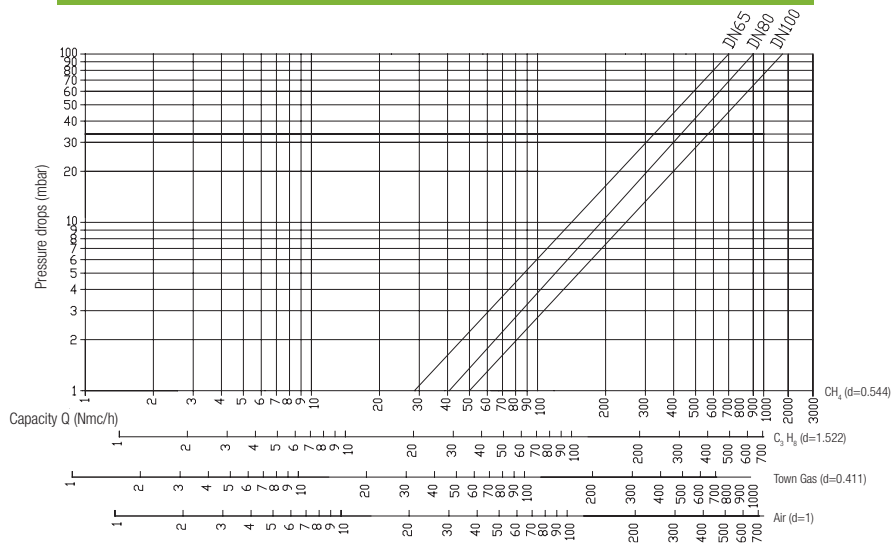
- Peters plug

- Manometer

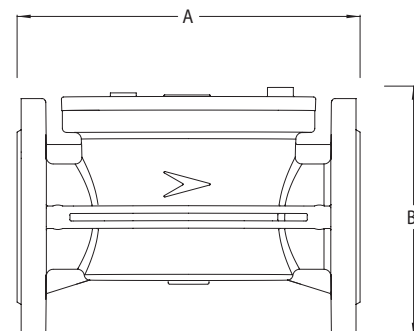
- DP clogging indicator



**FLOW CHART**



DIMENSIONS (mm) and WEIGHT (kgs)				
Dimension	A	B	C	Weight
DN65	260.5	190.0	220.0	8,30
DN80	260.5	190.0	220.0	8,30
DN100	260.5	190.0	220.0	9,50





## GAS FILTER DN125 – DN150 – Pmax 6 bar



Code	Description	Dimension	Pmax
GFD125	Gas filter	DN125	6 bar
GFD150	Gas filter	DN150	6 bar
GFD125-TPIO	Gas filter with test point in/out	DN125	6 bar
GFD150-TPIO	Gas filter with test point in/out	DN150	6 bar
GFD125-SP	Gas filter with screw plugs	DN125	6 bar
GFD150-SP	Gas filter with screw plugs	DN150	6 bar

### TECHNICAL FEATURES

<b>Operation maximum pressure</b>	6 bar
<b>Working Temperature</b>	- 20 °C – + 60 °C
<b>Filtration</b>	50 Micron
<b>Use</b>	Non – aggressive gases – Family 1 – 2 – 3 and air
<b>Cartridge element</b>	Viledon cartridge
<b>Connection</b>	Flanged PN16 – DN125 – DN150
<b>Complete Body</b>	Die – Cast Aluminium Gd – AISI12Cu - EN AB 46100
<b>Seals</b>	NBR
<b>Approval</b>	PED

#### Optional:

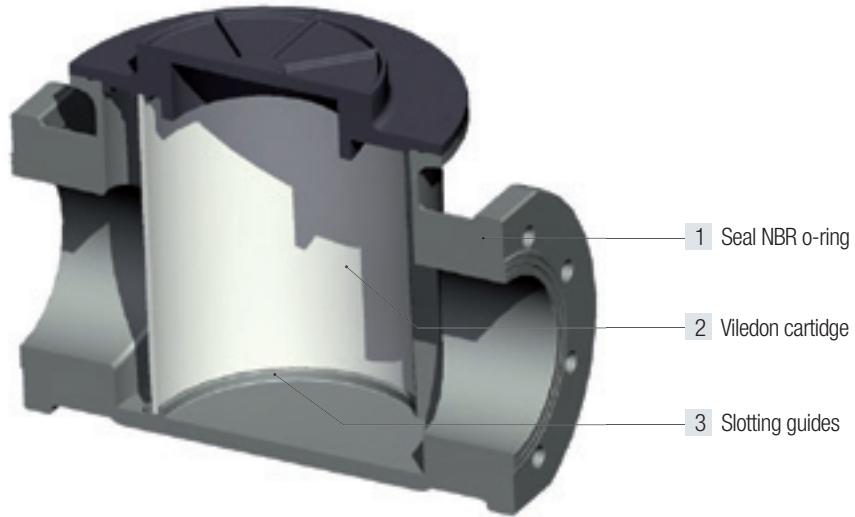
- Test point – NPT ¼"

- Screw – NPT ¼"

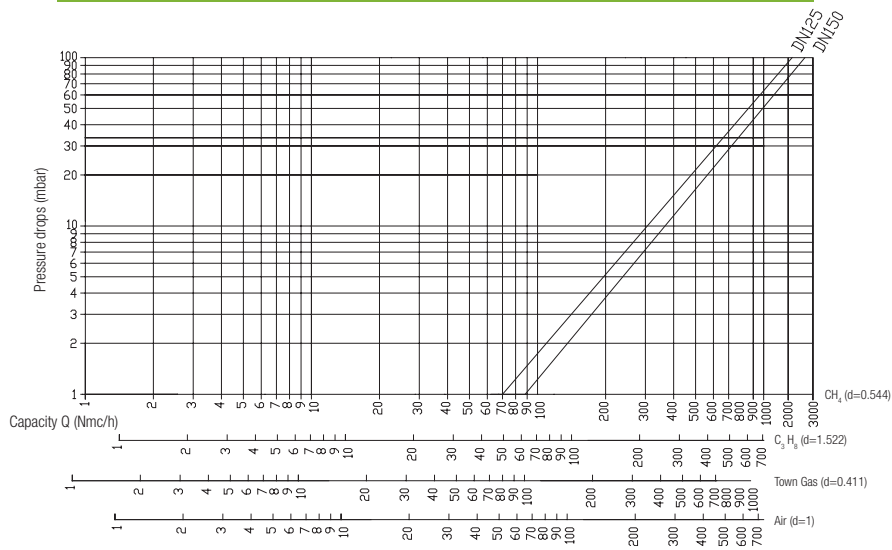
- Peters plug

- Manometer

- DP clogging indicator



FLOW CHART



DIMENSIONS (mm) and WEIGHT (kgs)				
Dimension	A	B	C	Weight
DN125	442.5	347.7	330.0	23,
DN150	442.5	347.7	330.0	21

