

TECHNICAL DATA



ART. 1050 ST



CHRYSSAFIDIS

Full way ball valve FXF with lever (with butterfly handle art. 1050 T)

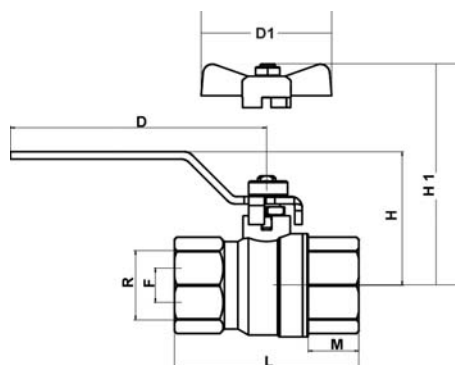
Manufactured according to EN13828

FEATURES



- BRASS "P-OT 58 Pb 2 UNI 5705-65 BODY, BALL, STEM.
- BALL GROUND BY DIAMOND-TIPPED TOOL, NICKEL AND CHROMIUM PLATED.
- VIRGIN P.T.F.E. SEATS WITH 7° MIN. TIGHTNESS ANGLE.
- O-RING STEM PACKING IN NBR RUBBER.
- DRAWN STEEL LEVER WITH, RED PLASTIC COATING.
- MATT CHROME FINISHING.
- THREADING TO ISO 228/1.

LEADING DIMENSIONS



R"	3/8	1/2	3/4	1	1 ¼	1 ½	2	2½	3	4
D	85	85	85	115	115	142	142	237	237	237
D1	54	54	54	70	70					
H	40	44	46	60	70	81.5	89	118	129	143
H1	32	35.5	39.5	51	57.5					
L	45	48	55	65.5	80	91	106	133	151	180
M	12	12	12.5	14	16	17.5	19.5	24	27.5	30
F	10	15	20	25	32	40	50	62	75	95
GR	100	143	220	355	563	873	1390	3000	4500	6800

WORKING PRESSURES AT 80°C MAX

R	3/8"	1/2"	3/4"	1"	1¼"	1½"	2"	2½"	3"	4"	
PN 30	*	*	*	*	*	*	*	*	*	*	p.s.i. 435

PRESSURE DROPS

R	3/8"	1/2"	3/4"	1"	1¼"	1½"	2"	2½"	3"	4"
Kv	9	15	30	57,5	94	160	265	390	525	880

$$\Delta P \text{ [mm H}_2\text{O]} = 10.000 \times \left[\frac{G \text{ [m}^3\text{/ h]}}{Kv} \right]^2$$