

Cim 74AGOT

OBLIQUE STRAINER BRASS CW617N-M ALLOY - PN 20

ΦΙΛΤΡΑ ΟΡΕΙΧΑΛΚΙΝΑ ΒΙΔΩΤΑ



This article was made in compliance with the quality management requirements of ISO 9001 standard.

All articles are tested according to the EN 12266-1 standard

It can be used in the following categories of low pressure gas distribution systems:

Natural gas: petroleum based gases (methane) and LP tanks.

Coal gas: produced by means of different procedures (Cracking - Coking - etc.).

Liquid gas: propane and gaseous mixtures of propane/butane.

They protect and resolve installation problems in the filtration of gases, retaining impurities, sand, rust particles and metal particles in the pipes, ensuring total protection of the system.

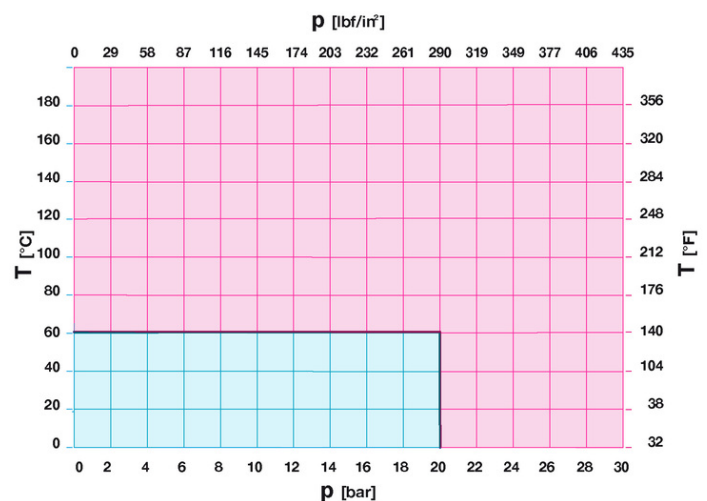
It is guaranteed for 5 years.

It is made of a brass alloy that complies with standard EN 12165-CW617N-DW.

Nominal Pressure: PN20

Operating temperature: -10 to 60°C

PRESSURE TEMPERATURE RATINGS



Notes:

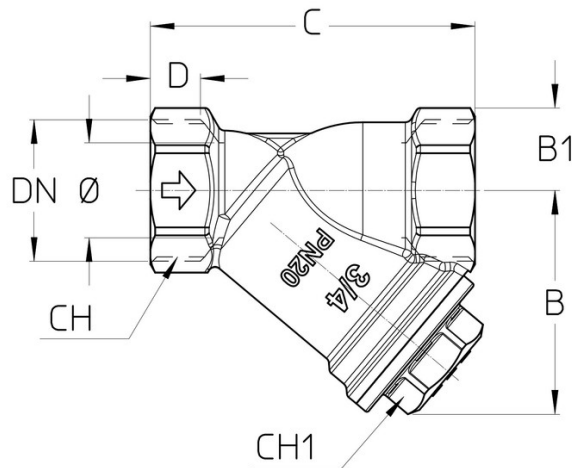
1 bar = 14,5 psi

1 bar = 14,5 lbf/in²

°C = 5/9 x (°F-32)

°F = 32 + (9/5 x °C)

TECHNICAL DRAWING



DN	1/2"	3/4"	1"	1"1/4	1"1/2	2"
Φ mm	15	19	24	31	37	50
Grms.	142	225	335	550	690	1270
B	14	17	20	25	28,5	35
B1	40	47,5	58	78	81	96
C	59	68	76	92	100	125
D	12	12,5	13,5	16	16	16
CH	25	31	38	47	54	66
CH1	18	22	29	34	39	55

Thread:
ISO 228

Upon request:
ANSI B.1.20.1 - NPT

TECHNICAL CHARACTERISTICS

NH						
DN	1/2"	3/8"	1"	1 1/4"	1 1/2"	2"
NH	280	280	280	280	280	280
DH	0,25	0,25	0,25	0,25	0,25	0,25

NH = Number of holes per cm² of the mesh
DH= Diameter of the mesh holes in mm

REACH Regulation

According to article 33 of REACH Regulation, we inform you that the components made of bronze and brass alloys that are parts of the articles we supply, contain the lead (as alloy component) in a higher quantity of the limit of 0,1% in weight. Lead has been inserted in the list of SVHC substances nominated for the authorisation process, in the updating published by the European Chemical Agency ECHA on 27th June 2018. Lead has been introduced with the following information:

- Substance: Lead
- CAS: 7439-92-1
- EC: 231-100-4
- List: SVHC
- Data of Inclusion: 27th June 2018

Since lead is an element of the alloy, no exposure is expected and consequently, no further information is requested for the safe use of this product.

The list is available at the following link: <https://echa.europa.eu/it/candidate-list-table> and since it is a continuously updated list, we declare the constant monitoring about insertion of new substances and the prompt on time information to our customers in case such substances should be contained in the products we supply.

Make sure product materials and features are suitable for system scope and conform to the local regulations in force