



ΧΡΥΣΑΦΙΔΗΣ Α.Ε.

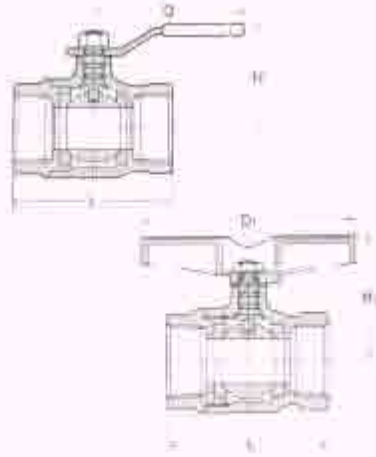
ΒΙΟΜΗΧΑΝΙΚΑ ΕΙΔΗ ΓΙΑ ΝΕΡΟ, ΑΤΜΟ, ΦΥΣΙΚΟ ΑΕΡΙΟ & ΥΓΡΑΕΡΙΟ
ΑΘΗΝΑ : ΤΗΛ: (01) 4836315-20, FAX: (01) 4817000
ΘΕΣΣΑΛΟΝΙΚΗ : ΤΗΛ: (031) 754681-3, FAX: (031) 754684
e-mail: sales@chryssafidis.gr

ΟΡΕΙΧΑΛΚΙΝΟΙ ΣΦΑΙΡΙΚΟΙ ΚΡΟΥΝΟΙ ΜΕΙΩΜΕΝΗΣ ΔΙΑΤΟΜΗΣ KITZ

Type 400 Brass Ball Valve

Screwed body cap, PTFE seats, Blowout-proof stem, Threaded ends.

400 psi., W.O.G. non-stroke
 100 psi./300 F



Materials

Parts Name	Material
Body*	Brass or Bronze
Body Cap*	Brass or Bronze
Stem	Special Brass (K-Metal)
Ball	Brass (Chrome Plated)
Seat	PTFE
O-ring	FPM
Handle	Stainless Steel (Vinyl Grip) Ductile Iron (Size 2 1/2-4) Die-Cast Zinc (Fig. TT)

* K-Metal is a special brass developed for anti-oxidization & erosion free.

Test Pressure: Shell 800 psi. (Hydrostatic.)
 Seat 80 psi. (Air)

Dimensions

		mm										
Valve Size	m	1/8	1/4	1/2	3/4	1	1 1/2	2	2 1/2	3	4	
Bore Size	mm	8	10	15	20	25	32	40	50	65	80	100
L End to End		50	50	65	68	79	86	96	109	127	153	179
H Height		45	45	45	50	55	60	65	75	91	105	124
H ₁ Height		41	41	44	48	55	61	66	80	—	—	—
D Length of Handle		80	80	100	100	130	130	130	150	200	300	400
D ₁ Length of Handle		65	65	80	80	90	105	105	120	—	—	—