

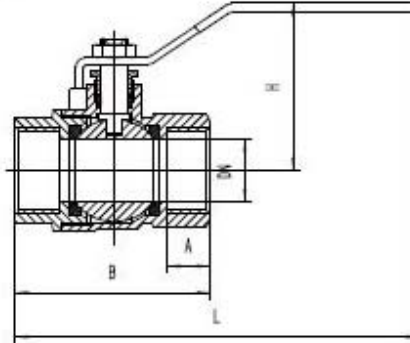


CHRYSSAFIDIS

## ΟΡΕΙΧΑΛΚΙΝΟΙ ΣΦΑΙΡΙΚΟΙ ΚΡΟΥΝΟΙ

### BRASS BALL VALVE (Light Type)

## JL-192



SIZE	DN	A	B	H	L
1/2"	13,5	12,5	50	52	122
3/4"	19	13	57	58	125
1"	23	12	58	58	135
1-1/4"	30	16	77	75	177
1-1/2"	35	16	82	80	180
2"	47	18	99	98	215
2-1/2"	58	22	124	113	305
3"	70	22	137	122	316
4"	90	25	165	137	328

Technical specification:

1. Material: Iron handle, All brass
2. Nickel plated
3. Working Medium: Water, Non-corrosive liquid, saturated steam
4. Working Temperature:  $-20^{\circ}\text{C} \leq t \leq 120^{\circ}\text{C}$